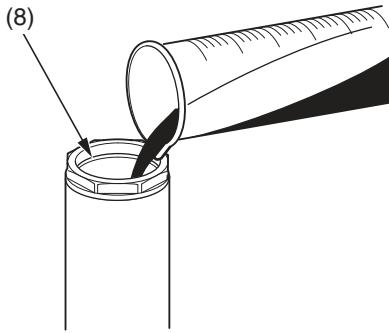


11. Pour the recommended fork oil (page 89) into the inner chamber (8).



(8) inner chamber

Left Fork Inner Chamber Oil Capacity:

Standard oil capacity	2.9 US oz (87 cm <sup>3</sup> )
-----------------------	---------------------------------

Approximately 0.03 US oz (1.0 cm<sup>3</sup>) of fork oil remains after draining. This amount must be noted when filling to the standard oil capacity.

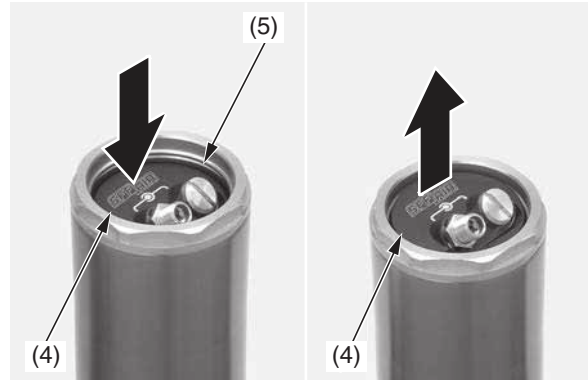
- 12. Remove the O-rings (9) from the fork cap (4).
- 13. Apply recommended fork oil to new O-rings and install them to the fork cap.
- 14. Install the fork cap.



(4) fork cap

(9) O-rings

- 15. Press the fork cap (4) and install the stopper ring (5) securely.
- 16. Pull up the fork cap.



(4) fork cap

(5) stopper ring

17. Apply air pressure to the inner chamber and check that there is no air leakage. Install the valve cap.

Inner Chamber Air Pressure:

Standard air pressure	174 psi (1,200 kPa, 12.2 kgf/cm <sup>2</sup> )
Maximum air pressure (stiff)	189 psi (1,300 kPa, 13.3 kgf/cm <sup>2</sup> )
Minimum air pressure (soft)	131 psi (900 kPa, 9.2 kgf/cm <sup>2</sup> )

When applying air pressure to the inner chamber, the fork will be extended.

18. Apply air pressure to the balance chamber and check that there is no air leakage.

Balance Chamber Air Pressure:

Standard air pressure	163 psi (1,125 kPa, 11.5 kgf/cm <sup>2</sup> )
Maximum air pressure (soft)	189 psi (1,300 kPa, 13.3 kgf/cm <sup>2</sup> )
Minimum air pressure (stiff)	145 psi (1,000 kPa, 10.2 kgf/cm <sup>2</sup> )

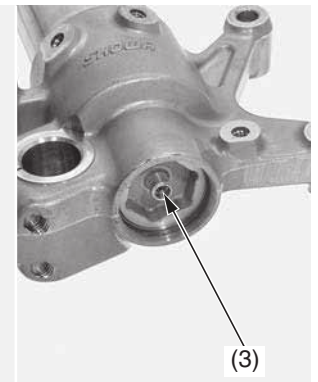
When applying air pressure to the balance chamber, the fork will be shortened.

Inner chamber:



(3) air valves

Balance chamber:



19. Install and tighten the balance chamber valve cap to the specified torque:  
0.4 lbf·ft (0.5 N·m, 0.1 kgf·m)

(cont'd)