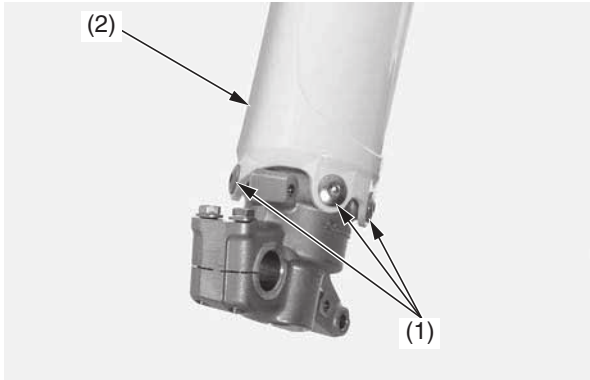


Suspension

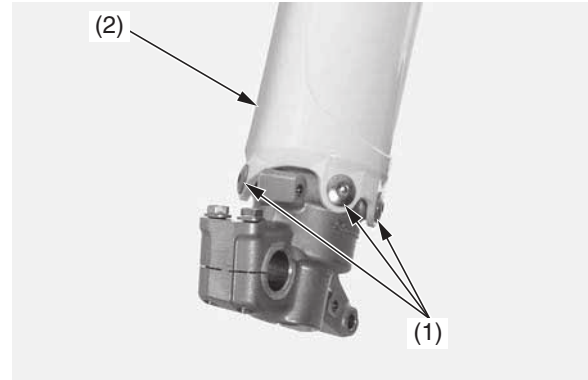
20. Clean the threads of the fork protector socket bolts (1) and axle holder thoroughly. Apply locking agent to the bolt threads. Install the fork protector (2) and fork protector socket bolts.
- Tighten the fork protector socket bolts to the specified torque:
5.2 lbf·ft (7 N·m, 0.7 kgf·m)



(1) fork protector socket bolts
(2) fork protector

Balance Chamber Oil Bleeding

1. Remove the fork protector socket bolts (1) and fork protector (2).



(1) fork protector socket bolts
(2) fork protector

2. Clean the fork assembly, especially the sliding surface of the slider and dust seal.

3. Remove the valve caps and clean the area around the air valves (3).
4. Release the air pressure from the inner chamber by pressing the valve center.

When releasing air pressure from the inner chamber, the fork will be shortened.

5. Place a shop towel over the balance chamber air valve. Release the air pressure from the balance chamber by pressing the valve center.

When releasing air pressure from the balance chamber, the fork will be extended.

Spraying a small amount of fork oil from the balance chamber air valve is normal when releasing air pressure from the balance chamber. This will not affect the fork performance.

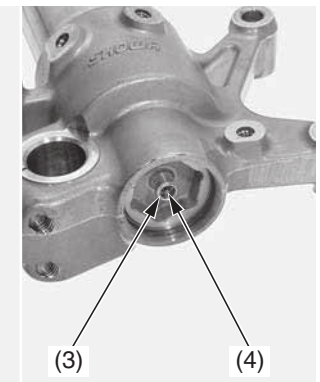
6. Remove the valve center (4) of the balance chamber air valve.

Inner chamber:



(3) air valves

Balance chamber:



(3) air valves (4) balance chamber air valve center