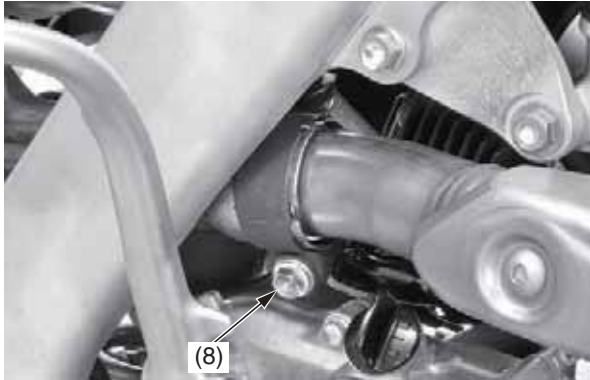
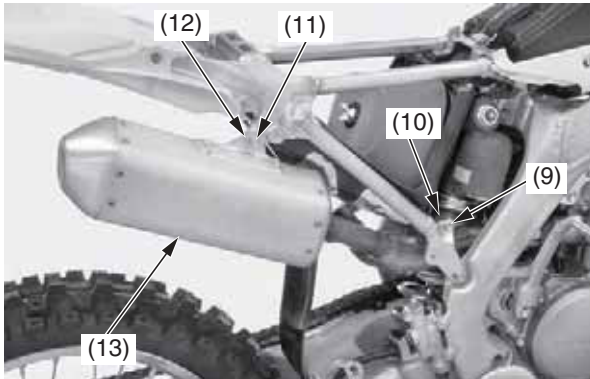


- Loosen the right muffler clamp bolt (8).



(8) right muffler clamp bolt

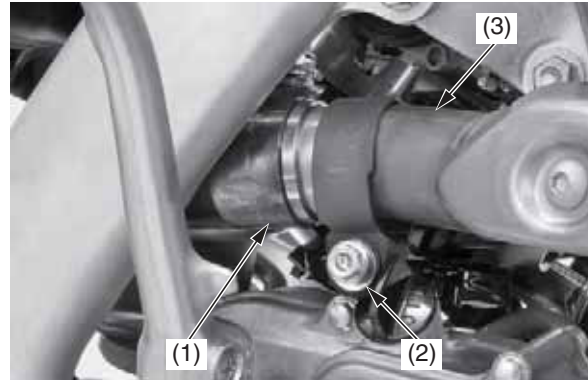
- Remove the right muffler mounting A bolt (9), washer A (10), right muffler mounting B bolt (11), washer B (12) and right muffler (13).



(9) right muffler mounting A bolt
 (10) washer A
 (11) right muffler mounting B bolt
 (12) washer B
 (13) right muffler

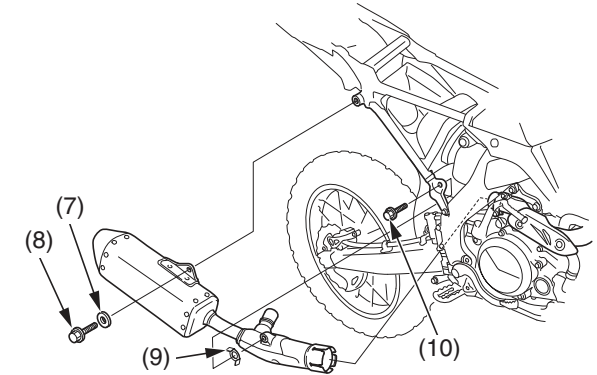
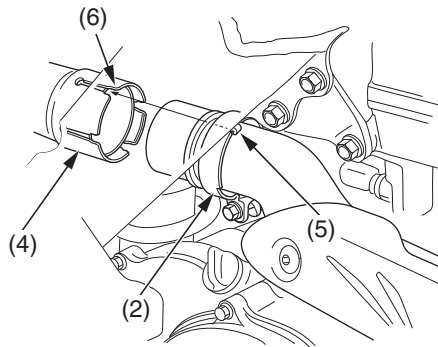
Muffler Installation

- Remove the gasket (1).
- Install the right muffler clamp (2) and a new gasket onto the exhaust pipe (3).



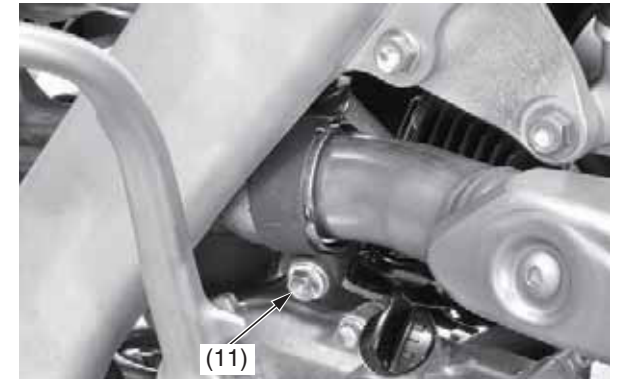
(1) gasket (new) (3) exhaust pipe
 (2) right muffler clamp

- Install the right muffler (4).
- Install the right muffler clamp (2) by aligning the tab (5) of the right muffler clamp with the cut-out (6) of the right muffler.
- Install the washer B (7), right muffler mounting B bolt (8), washer A (9) with the tab side facing outside, and right muffler mounting A bolt (10).



(2) right muffler clamp
 (4) right muffler
 (5) tab
 (6) cut-out
 (7) washer B
 (8) right muffler mounting B bolt
 (9) washer A
 (10) right muffler mounting A bolt

- Tighten the right muffler clamp bolt (11) to the specified torque:
15 lbf-ft (20 N·m, 2.0 kgf·m)



(11) right muffler clamp bolt

(cont'd)