

Damper Oil Change

1. Remove the fork cap assembly (1) from the fork damper threads and then pop it out by pumping the fork damper piston rod (2) slowly.
2. Remove the fork cap assembly (1).

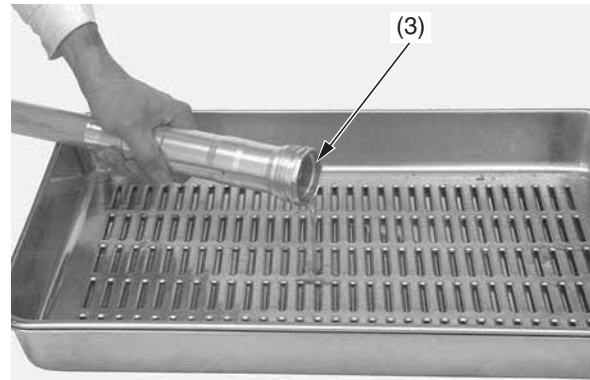
Be careful not to damage the fork cap bushings. Do not disassemble the fork cap assembly. Replace the fork cap as an assembly if it is damaged.



(1) fork cap assembly

(2) fork damper piston rod

3. Empty the fork oil from the fork damper oil chamber (3) by pumping the fork damper piston rod several times.



(3) fork damper oil chamber

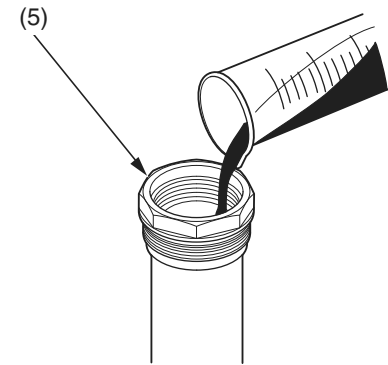
4. Clean the fork cap and fork damper threads (4).



(4) fork cap and fork damper threads

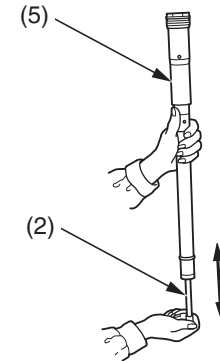
5. Extend the fork damper piston rod to maximum length. Pour the recommended fork oil into the fork damper (5) while covering the oil holes by hand.

Recommended Oil:
 HP Fork Oil, SS-19
 Recommended Amount:
 10.2 US oz (303 cm³)



(5) fork damper

6. Pump the fork damper piston rod (2) slowly several times to bleed the air from the fork damper (5).



(2) fork damper piston rod (5) fork damper

(cont'd)