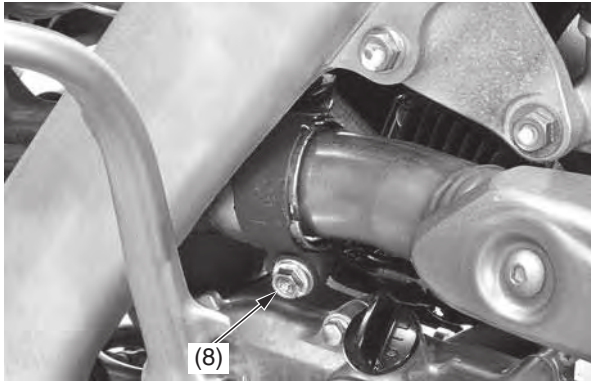


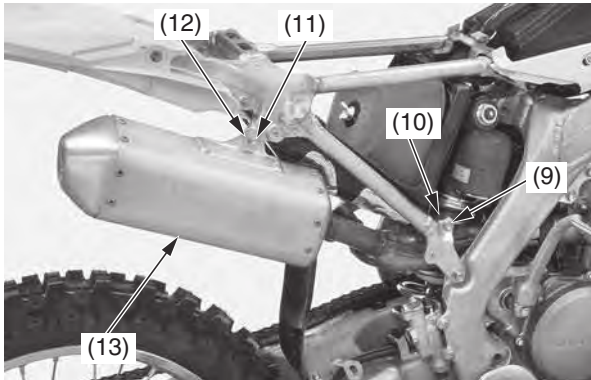
# Exhaust Pipe/Muffler

5. Loosen the right muffler clamp bolt (8).



(8) right muffler clamp bolt

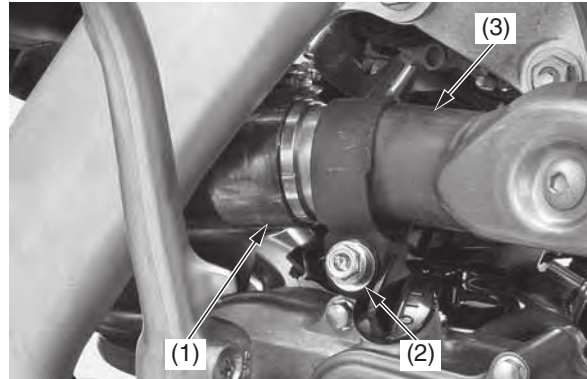
6. Remove the right muffler mounting A bolt (9), washer A (10), right muffler mounting B bolt (11), washer B (12) and right muffler (13).



(9) right muffler mounting A bolt  
 (10) washer A  
 (11) right muffler mounting B bolt  
 (12) washer B  
 (13) right muffler

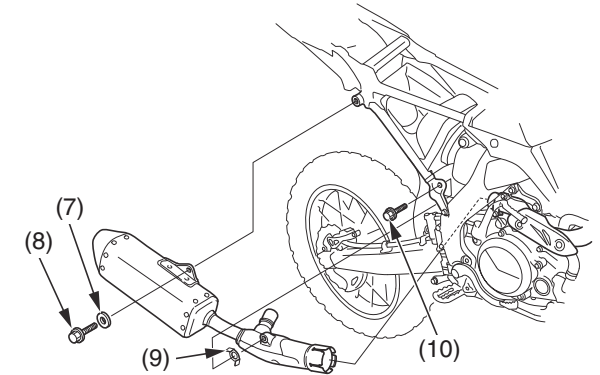
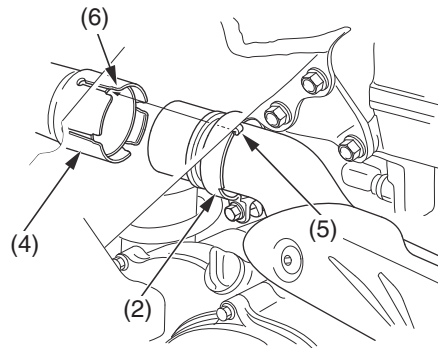
## Muffler Installation

1. Remove the gasket (1).
2. Install the right muffler clamp (2) and a new gasket onto the exhaust pipe (3).



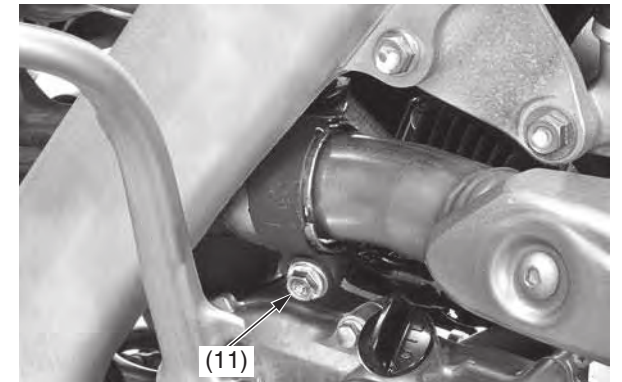
(1) gasket (new)                      (3) exhaust pipe  
 (2) right muffler clamp

3. Install the right muffler (4).
4. Install the right muffler clamp (2) by aligning the tab (5) of the right muffler clamp with the cut-out (6) of the right muffler.
5. Install the washer B (7), right muffler mounting B bolt (8), washer A (9) with the tab side facing outside, and right muffler mounting A bolt (10).



(2) right muffler clamp  
 (4) right muffler  
 (5) tab  
 (6) cut-out  
 (7) washer B  
 (8) right muffler mounting B bolt  
 (9) washer A  
 (10) right muffler mounting A bolt

6. Tighten the right muffler clamp bolt (11) to the specified torque:  
**15 lbf-ft (20 N·m, 2.0 kgf·m)**



(11) right muffler clamp bolt