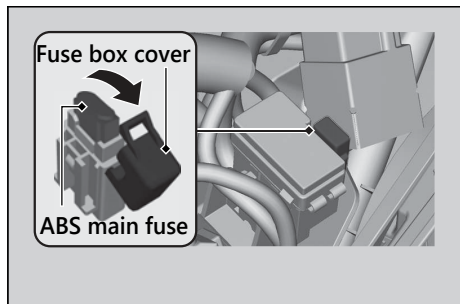


ABS Fuse

CRF250RLA

ABS Main fuse



1. Remove the left side cover. ► P. 56
2. Open the fuse box cover.
3. Pull the ABS main fuse out with the fuse puller in the tool kit and check for a blown fuse. Always replace a blown fuse with a spare fuse of the same rating.
 - Spare ABS main fuse is provided in the fuse box. ► P. 101
4. Close the fuse box cover.
5. Reinstall the left side cover.