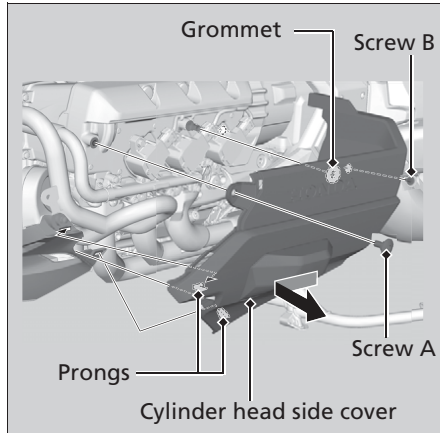


Cylinder Head Side Cover



The right and left cylinder head side cover can be removed in the same way.

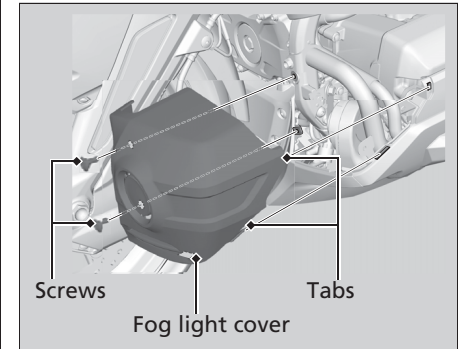
Removal

1. Remove the fog light cover. ► P. 151
2. Remove the screw A and B.
3. Remove the prongs from the lower cover.
4. Pull the grommet from the boss on the cylinder head and slide the cylinder head side cover forward, then remove it.

Installation

Install the parts in the reverse order of removal.

Fog Light Cover



The right and left fog light cover can be removed in the same way.

Removal

1. Remove the screws.
2. Release the tabs from the cylinder head side cover.
3. Remove the fog light cover.

Installation

Install the parts in the reverse order of removal.