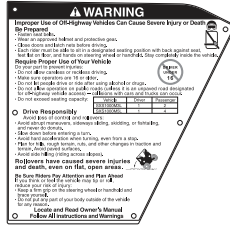
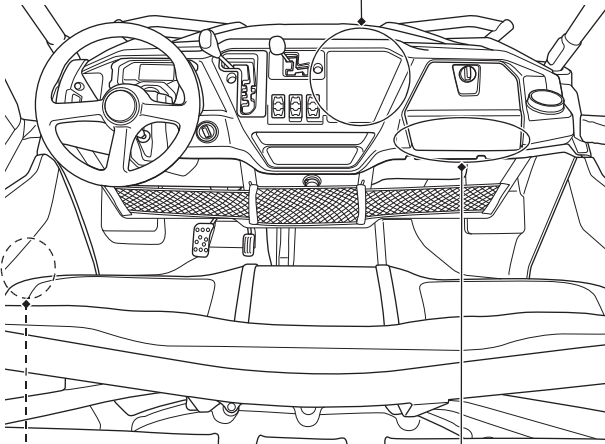


Safety Labels

SXS1000M3L/M5L



general warning



Shift and Drive Select Information

• To prevent drivetrain damage, bring the unit to a complete stop before operating the shift select lever (L - H - N - R - P) and drive mode select lever (Turf - 2WD - I-4WD).

shift & drive select

(USA - 49 states, Canada,
Australia, New Zealand models)

(USA - 50 states
[meets California] models)

⚠ WARNING

Improper tire pressure, overloading or overly worn or damaged tires can cause loss of control. Loss of control can result in severe injury or death. Check tires before each use.

<p>Cold tire pressure: Front :14 psi (100 kPa) Rear :14 psi (100 kPa)</p>	<p>Maximum weight capacity : 1649 lbs. (748 kg) (Including weight of cargo, occupants, accessories and trailer tongue load)</p>
---	---

⚠ WARNING

Improper tire pressure, overloading or overly worn or damaged tires can cause loss of control. Loss of control can result in severe injury or death. Check tires before each use.

<p>Cold tire pressure: Front :14 psi (100 kPa) Rear :14 psi (100 kPa)</p>	<p>Maximum weight capacity : 1248 lbs. (566 kg) (Including weight of cargo, occupants, accessories and trailer tongue load)</p>
---	---

tire & overload warning