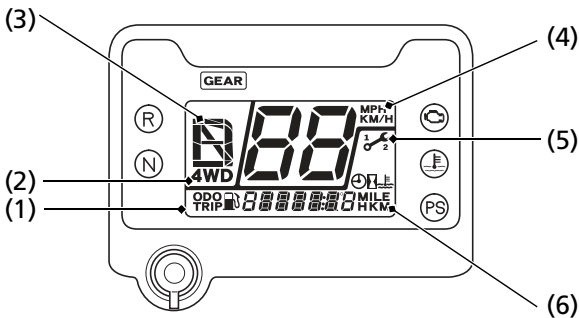


Indicators & Displays

Multi-function Display (Except TRX420TM1)

The multi-function display (1) includes the following functions:

4WD indicator	Digital clock
Gear position indicator	Odometer
Maintenance minder indicator	Tripmeter
Speedometer	Coolant temperature gauge
Fuel gauge	Hourmeter
	Maintenance tripmeter
	Maintenance hourmeter



- | | |
|-----------------------------|---|
| (1) multi-function display | (5) maintenance minder indicator |
| (2) 4WD indicator | (6) fuel gauge/digital clock/odometer/tripmeter/coolant temperature gauge/hourmeter/maintenance tripmeter/maintenance hourmeter |
| (3) gear position indicator | |
| (4) speedometer | |