

# Spark Plug

## Spark Plug Recommendation

standard spark plug

BKR5E-11 (NGK) or  
K16PR-U11 (DENSO)

Use only the recommended type of spark plug in the recommended heat range.

### NOTICE

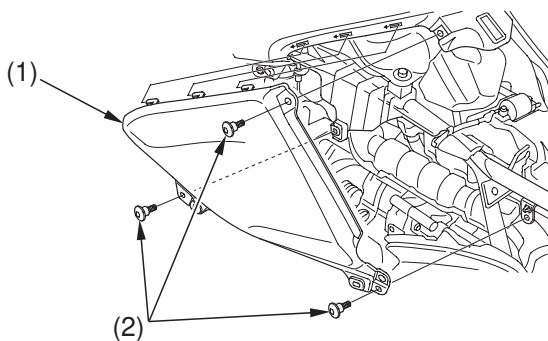
*Using spark plugs with an improper heat range can cause engine damage.*

## Spark Plug Inspection & Replacement

Refer to *Safety Precautions* on page 89 .

1. Remove the seat (page 100 ) and left side cover (page 108 ).
2. Remove the left tank side cover ( 1 ) by removing the bolts ( 2 ).

LEFT SIDE



(1) left tank side cover

(2) bolts