

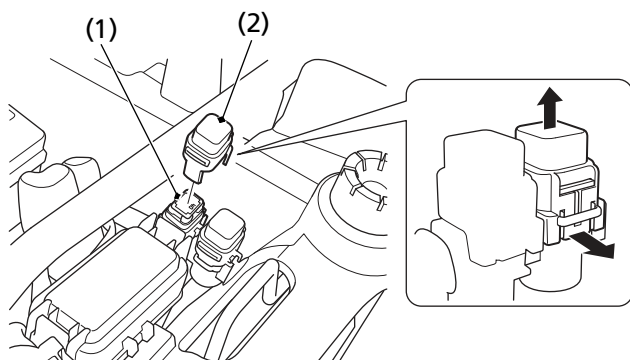
# If a Fuse Blows

---

## *EPS (Electric Power Steering) Fuse Access (TRX520FM2)*

1. Turn the ignition switch to OFF (w) before checking the fuse.
2. Remove the seat (page 122).
3. Remove the rear fender cover (page 123).
4. To access the EPS fuse (1), remove the fuse cover (2). If the EPS fuse is blown, see your dealer for this service.
5. Install the fuse cover.
6. Install the rear fender cover.
7. Install the seat.

### UNDER REAR FENDER COVER



(1) EPS fuse

(2) fuse cover