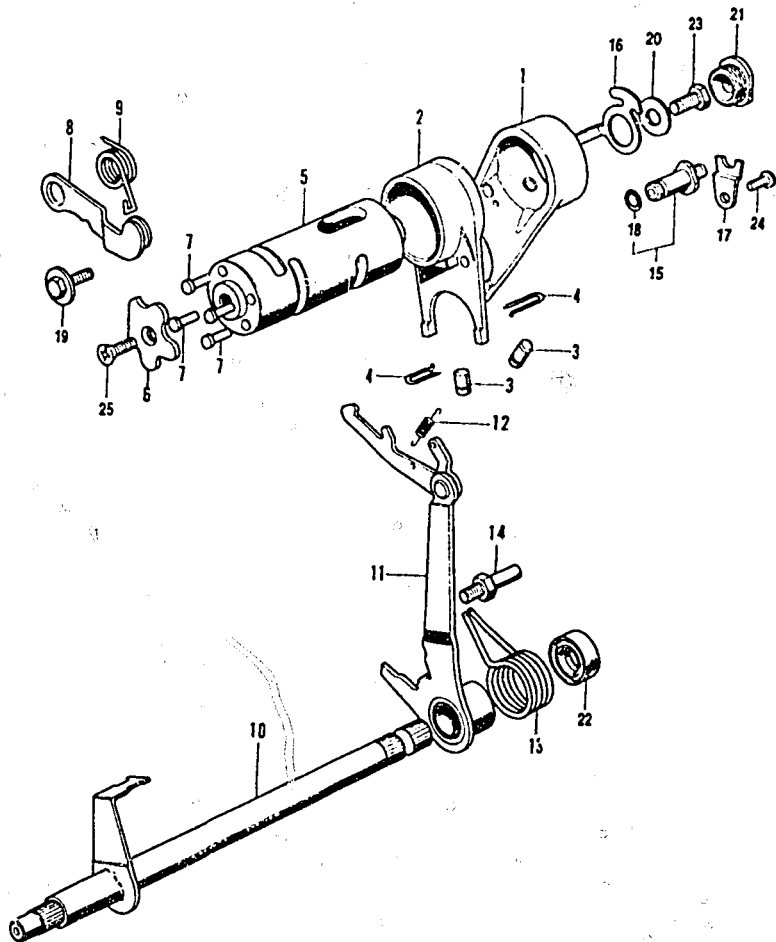


# GEARSHIFT



E23038009

K1 - CT70K1  
K2 - CT70K2

Ref. No.	BLOCK NO. DESCRIPTION	CT70		ENGINE SERIAL NUMBER		QTY REQ	PART NUMBER	HONDA CODE
		K1	K2	FROM	TO			
1	FORK, L. GEARSHIFT .....	K1	K2	----	----	1	24211-087-000	0251074
	FORK, L. GEARSHIFT .....	K1	K2	----	----	1	24211-087-010	1068899
2	FORK, R. GEARSHIFT .....	K1	K2	----	----	1	24221-041-000	0175638
	FORK, R. GEARSHIFT .....	K1	K2	----	----	1	24221-041-010	1068915
3	PIN, GEARSHIFT FORK GUIDE .....	K1	K2	----	----	2	24261-028-010	0116962
	PIN, GEARSHIFT FORK GUIDE .....	K1	K2	----	----	2	24261-121-740	1074038
	PIN, GEARSHIFT FORK GUIDE .....	K1	K2	----	----	2	24261-121-741	3635406
4	CLIP, GEARSHIFT FORK GUIDE PIN ...	K1	K2	----	----	2	24263-028-000	0014266
5	DRUM, GEARSHIFT .....	K1	K2	----	----	1	24301-045-670	0175646
	DRUM, GEARSHIFT .....	K1	K2	----	----	1	24301-045-671	0957019
	DRUM, GEARSHIFT .....	K1	K2	----	----	1	24301-045-672	1074269
	DRUM, GEARSHIFT .....	K1	K2	----	----	1	24301-045-673	2297471
6	PLATE, GEARSHIFT DRUM STOPPER ...	K1	K2	----	----	1	24411-041-020	0175653
7	PIN, GEARSHIFT DRUM .....	K1	K2	----	----	4	24421-041-000	0175661
8	STOPPER, GEARSHIFT DRUM .....	K1	K2	----	----	1	24430-041-000	0175679
	STOPPER, GEARSHIFT DRUM .....	K1	K2	----	----	1	24430-041-010	0476820
9	SPRING, GEARSHIFT DRUM STOPPER ..	K1	K2	----	----	1	24435-GB2-710	1880459
	SPRING, GEARSHIFT DRUM STOPPER ..	K1	K2	----	----	1	24435-GB2-710	2943561
	SPRING, GEARSHIFT DRUM STOPPER ..	K1	K2	----	----	1	24435-040-000	0116350
10	SPINDLE COMP., GEARSHIFT .....	K1	K2	----	----	1	24610-098-730	0267955
11	ARM, GEARSHIFT .....	K1	K2	----	----	1	24630-086-000	0270769
	ARM, GEARSHIFT .....	K1	K2	----	----	1	24630-086-010	1092618
12	SPRING, GEARSHIFT ARM .....	K1	K2	----	----	1	24541-041-000	0132746
13	SPRING, GEARSHIFT RETURN .....	K1	K2	----	----	1	24651-041-000	0175703
14	PIN, SHIFT RETURN SPRING .....	K1	K2	----	----	1	24652-035-000	0070698
15	CONTACT ASSY., NEUTRAL SWITCH ...	K1	K2	----	----	1	35750-001-020	0002436
16	ROTOR, NEUTRAL SWITCH .....	K1	K2	----	----	1	35753-035-010	0220798
17	PLATE, CONTACT FIXING .....	K1	K2	----	----	1	35755-001-020	0002485
18	O-RING, 7X1.6 .....	K1	K2	----	----	1	37551-001-000	0002444
19	BOLT, GEARSHIFT DRUM STOPPER ARM PIVOT .....	K1	K2	----	----	1	90023-041-000	0141168
	BOLT, GEARSHIFT DRUM STOPPER ARM PIVOT .....	K1	K2	----	----	1	90023-041-010	2494375

# CONTENTS

TITLE	PAGE	GRID
AIR CLEANER	60	D11
ALTERNATOR	10	B5
BATTERY	88	F1
BRAKE PEDAL	80	E9
CAM CHAIN TENSIONER	14	B7
CAMSHAFT	8	B4
CARBURETOR	38	C7
CHAIN CASE	78	E8
CHANGE PEDAL	98	F6
CLUTCH	18	B9
CRANKCASE	34	C5
CRANKCASE COVER L	10	B5
CRANKCASE COVER R	16	B8
CRANKCASE PROTECTOR	92	F3
CRANKSHAFT	22	B11
CYLINDER	6	B3
CYLINDER HEAD	6	B3
CYLINDER HEAD COVER	2	B1
FENDER, FR	46	D4
FENDER, RR	84	E11
FORK, FR	50	D6
FORK, RR	92	F3
FUEL TANK	64	E1
GEARSHIFT	26	C1
HANDLEBAR	40	D1
HEADLIGHT	44	D3
HORN	46	D4
INLET PIPE	2	B1
KICK ARM	98	F6
KICK STARTER	32	C4
MUFFLER	66	E2
OIL PUMP	34	C5
PISTON	22	B11
SEAT	60	D11
SHOCK ABSORBER, RR	76	E7
SIDE STAND	80	E9
SPARK PLUG	2	B1
SPEEDOMETER	44	D3
STEERING STEM	46	D4
STEP	80	E9
SWINGARM	78	E8
TAILLIGHT	84	E11
TOOL SET	96	F5
TRANSMISSION	30	C3
VALVE	8	B4
WHEEL, FR	54	D8
WHEEL, RR	70	E4
WIRE HARNESS	88	F1

GRID

C1

CT70K1 ENGINE NO.; CT70E-2000001 TO SUBSEQUENT  
CT70K1 FRAME NO.; CT70-2050001 TO SUBSEQUENT  
CT70K2 ENGINE NO.; CT70E-2100001 TO SUBSEQUENT  
CT70K2 FRAME NO.; CT70-2100001 TO SUBSEQUENT

AMERICAN HONDA MOTOR CO., LTD. 1993 C1