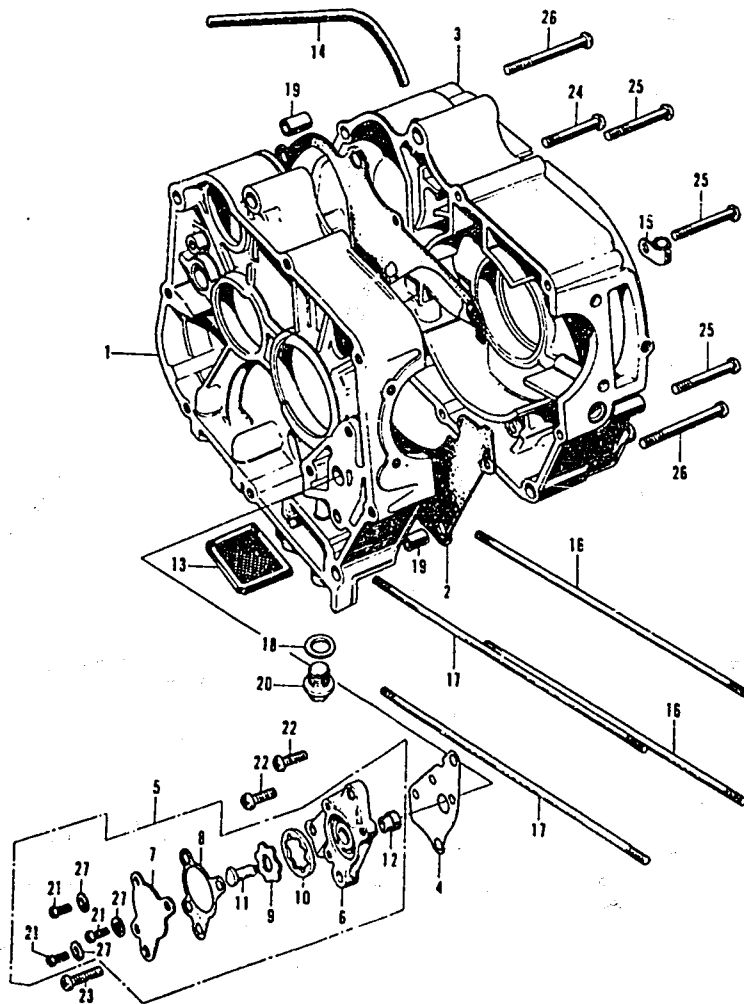


CRANKCASE • OIL PUMP



E23068012

K1 = CT70K1
K2 = CT70K2

Ref. No.	BLOCK NO. E-12 DESCRIPTION	CT70		ENGINE SERIAL NUMBER		QTY REQ	PART NUMBER	HONDA CODE
		K1	K2	FROM	TO			
		K1	K2					
1	CRANKCASE COMP., R.	K1	K2	---	---	1	11100-045-010	0201368
2	GASKET, CRANKCASE	K1	K2	---	---	1	11191-045-000	0201376
3	CRANKCASE COMP., L.	K1	K2	---	---	1	11200-098-731	0268110
4	GASKET, OIL PUMP BODY	K1	K2	---	---	1	15119-035-020	0117986
5	PUMP ASSY., OIL	K1	K2	---	---	1	15300-035-000	0131490
6	BODY, OIL PUMP	K1	K2	---	---	1	15311-035-013	0181537
7	COVER, OIL PUMP	K1	K2	---	---	1	15321-035-000	0131516
8	GASKET, OIL PUMP COVER	K1	K2	---	---	1	15329-035-000	0131524
	GASKET, OIL PUMP COVER	K1	K2	---	---	1	15329-035-003	0856609
9	ROTOR, OIL PUMP INNER	K1	K2	---	---	1	15331-035-060	0131532
	ROTOR, OIL PUMP INNER	K1	K2	---	---	1	15331-035-004	0856617
10	ROTOR, OIL PUMP OUTER	K1	K2	---	---	1	15332-035-000	0131540
	ROTOR, OIL PUMP OUTER	K1	K2	---	---	1	15332-035-004	0856625
11	DRIVESHAFT, OIL PUMP	K1	K2	---	---	1	15382-035-000	0131557
	DRIVESHAFT, OIL PUMP	K1	K2	---	---	1	15382-035-003	0856633
12	PIN, OIL PUMP KNOCK	K1	K2	---	---	1	15383-035-000	0131565
13	SCREEN, OIL FILTER	K1	K2	---	---	1	15421-035-010	0070029
14	TUBE, FUEL,	K1	K2	---	---	1	15761-045-000	0174318
	TUBE, FUEL, 5X450	K1	K2	---	---	1	95001-50000	0200998
	TUBE, FUEL, 5X320	K1	K2	---	---	1	95001-50000-90	0358895
	TUBE, FUEL, 5.5X350 (BULK HOSE: 95001-55008-40M)	K1	K2	---	---	1	95001-55000-40	0252650
15	CLAMP, OVERFLOW PIPE	K1	K2	---	---	1	16236-045-010	0253278
16	BOLT A, CYLINDER STUD	K1	K2	---	---	2	90031-035-010	0082875
17	BOLT B, CYLINDER STUD	K1	K2	---	---	2	90032-035-000	0070862
18	GASKET, DRAIN VALVE	K1	K2	---	---	1	90407-231-000	0218347
	GASKET, DRAIN VALVE, 12.5X20	K1	K2	---	---	1	90407-259-000	0035295
	WASHER, DRAIN PLUG, 12MM	K1	K2	---	---	1	94109-12000	0171868
19	PIN, KNOCK, 10X14A	K1	K2	---	---	2	90704-035-000	0130344
20	BOLT, DRAIN PLUG, 12MM	K1	K2	---	---	1	92800-12000	0053975
21	SCREW, PAN, 5X10	K1	K2	---	---	3	93500-05010-0A	0156976
22	SCREW, PAN 6X16	K1	K2	---	---	2	93500-06016	0057455
23	SCREW, PAN, 6X20	K1	K2	---	---	1	93500-06020	0057497

CONTENTS

TITLE	PAGE	GRID
AIR CLEANER	60	D11
ALTERNATOR	10	B5
BATTERY	88	F1
BRAKE PEDAL	80	E9
CAM CHAIN TENSIONER	14	B7
CAMSHAFT	8	B4
CARBURETOR	38	C7
CHAIN CASE	78	E8
CHANGE PEDAL	98	F6
CLUTCH	18	B9
CRANKCASE	34	C5
CRANKCASE COVER L	10	B5
CRANKCASE COVER R	16	B8
CRANKCASE PROTECTOR	92	F3
CRANKSHAFT	22	B11
CYLINDER	6	B3
CYLINDER HEAD	6	B3
CYLINDER HEAD COVER	2	B1
FENDER, FR	46	D4
FENDER, RR	84	E11
FORK, FR	50	D6
FRAME	92	F3
FUEL TANK	64	E1
GEARSHIFT	26	C1
HANDLEBAR	40	D1
HEADLIGHT	44	D3
HORN	46	D4
INLET PIPE	2	B1
KICK ARM	98	F6
KICK STARTER	32	C4
MUFFLER	66	E2
OIL PUMP	34	C5
PISTON	22	B11
SEAT	60	D11
SHOCK ABSORBER, RR	76	E7
SIDE STAND	80	E9
SPARK PLUG	2	B1
SPEEDOMETER	44	D3
STEERING STEM	46	D4
STEP	80	E9
SWINGARM	78	E8
TAILLIGHT	84	E11
TOOL SET	96	F5
TRANSMISSION	30	C3
VALVE	8	B4
WHEEL, FR	54	D8
WHEEL, RR	70	E4
WIRE HARNESS	88	F1

GRID **C5**

34 AMERICAN HONDA MOTOR CO. LTD. 1993
 CT70K1 ENGINE NO.; CT70E-2000001 TO SUBSEQUENT
 CT70K1 FRAME NO.; CT70-2000001 TO SUBSEQUENT
 CT70K2 ENGINE NO.; CT70E-2100001 TO SUBSEQUENT
 CT70K2 FRAME NO.; CT70-2100001 TO SUBSEQUENT

AMERICAN HONDA MOTOR CO., LTD. 1993 35