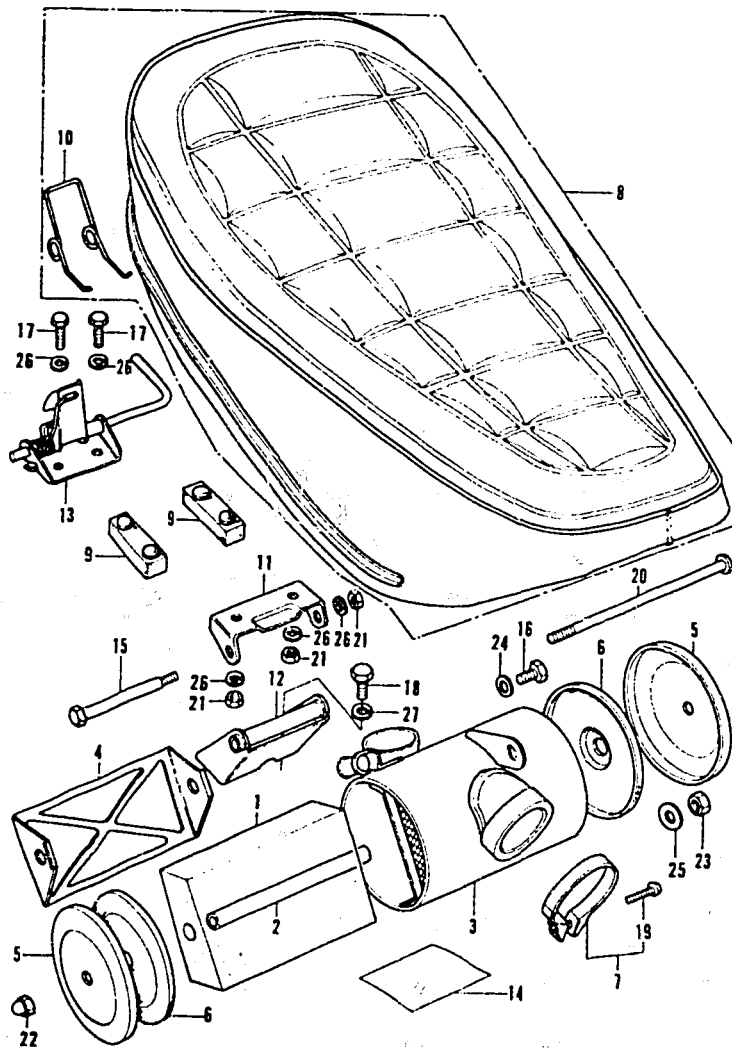


SEAT • AIR CLEANER



"CAUTION OR WARNING LABELS MUST BE ORDERED SEPARATELY WHEN APPLICABLE"

F23099006

K1 = CT70K1
K2 = CT70K2

CT70

Ref. No.	BLOCK NO. DESCRIPTION	F-6	K		FRAME SERIAL NUMBER		QTY REQ	PART NUMBER	HONDA CODE
			K1	K2	FROM	TO			
21	NUT, HEX., 6MM		K1	K2	-----	-----	3	94001-06008-0S	2829414
	NUT, HEX., 6MM		K1	K2	-----	-----	3	94001-06200-0S	2043255
	NUT, HEX., 6MM		K1	K2	-----	-----	3	94030-06000	1642693
22	NUT, CAP, 6MM		K1	K2	-----	-----	1	94021-06020	0057893
	NUT, CAP, 6MM		K1	K2	-----	-----	1	94022-06020	0203109
23	NUT, HEX., 8MM		K1	K2	-----	-----	1	94030-08000	0114686
24	WASHER, PLAIN, 6MM		K1	K2	-----	-----	1	94101-06000	0059071
	WASHER, PLAIN, 6MM		K1	K2	-----	-----	1	94101-06080	3136074
	WASHER, PLAIN, 6MM		K1	K2	-----	-----	1	94101-05800	0345900
25	WASHER, PLAIN, 8MM		K1	K2	-----	-----	1	94101-08000	0059097
26	WASHER, SPRING, 6MM		K1	K2	-----	-----	5	94111-06000	0058974
27	WASHER, SPRING, 8MM		K1	K2	-----	-----	2	94111-08000	0058982

CONTENTS

TITLE	PAGE	GRID
AIR CLEANER	60	D11
ALTERNATOR	10	B5
BATTERY	88	F1
BRAKE PEDAL	80	E9
CAM CHAIN TENSIONER	14	B7
CAMSHAFT	8	B4
CARBURETOR	38	C7
CHAIN CASE	78	E8
CHANGE PEDAL	98	F6
CLUTCH	18	B9
CRANKCASE	34	C5
CRANKCASE COVER L	10	B5
CRANKCASE COVER R	16	B8
CRANKCASE PROTECTOR	92	F3
CRANKSHAFT	22	B11
CYLINDER	6	B3
CYLINDER HEAD	6	B3
CYLINDER HEAD COVER	2	B1
FENDER, FR	46	D4
FENDER, RR	84	E11
FORK, FR	50	D6
FRAME	92	F3
FUEL TANK	64	E1
GEARSHIFT	26	C1
HANDLEBAR	40	D1
HEADLIGHT	44	D3
HORN	46	D4
INLET PIPE	2	B1
KICK ARM	98	F6
KICK STARTER	32	C4
MUFFLER	66	E2
OIL PUMP	34	C5
PISTON	22	B11
SEAT	60	D11
SHOCK ABSORBER, RR	76	E7
SIDE STAND	80	E9
SPARK PLUG	2	B1
SPEEDOMETER	44	D3
STEERING STEM	46	D4
STEP	80	E9
SWINGARM	78	E8
TAILLIGHT	84	E11
TOOL SET	96	F5
TRANSMISSION	30	C3
VALVE	8	B4
WHEEL, FR	54	D8
WHEEL, RR	70	E4
WIRE HARNESS	88	F1

GRID

D12

CT70K1 ENGINE NO.; CT70E-2000001 TO SUBSEQUENT
CT70K1 FRAME NO.; CT70-2000001 TO SUBSEQUENT
CT70K2 ENGINE NO.; CT70E-2100001 TO SUBSEQUENT
CT70K2 FRAME NO.; CT70-2100001 TO SUBSEQUENT