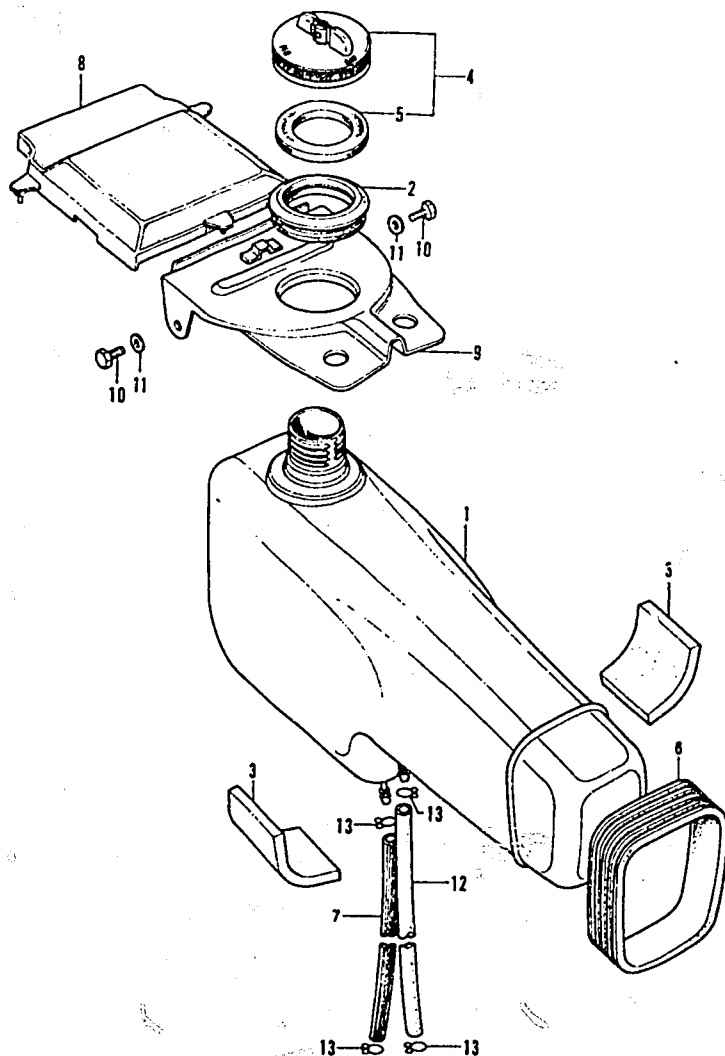


# FUEL TANK



F23098007

K1 = CT70K1  
K2 = CT70K2

Ref. No.	BLOCK NO. DESCRIPTION	CT70		FRAME SERIAL NUMBER		QTY REQ	PART NUMBER	HONDA CODE
		K1	K2	FROM	TO			
		K1	K2	FROM	TO			
1	TANK COMP., FUEL	K1	K2	-----	-----	1	17500-098-020B	0290643
	TANK COMP., FUEL	K1	K2	-----	-----	1	17500-098-030	3536489
2	GASKET, FUEL FILLER NECK	K1	K2	-----	-----	1	17512-086-010	0299446
3	PAD, FUEL TANK	K1	K2	-----	-----	2	17611-098-310	0290650
4	CAP, FUEL FILLER	K1	K2	-----	-----	1	17620-098-690	0290676
	CAP, FUEL FILLER	K1	K2	-----	-----	1	17620-098-691	2751626
	CAP COMP., FUEL FILLER	K1	K2	-----	-----	1	17620-147-972	2774818
5	GASKET, FUEL FILL CAP	K1	K2	-----	-----	1	17631-001-000	0006254
	GASKET, FUEL FILLER CAP	K1	K2	-----	-----	1	17631-096-701	2831444
6	BAND, FUEL TANK SETTING	K1	K2	-----	-----	1	17670-098-010	0290700
7	TUBE, FUEL RESERVE	K1	K2	-----	-----	1	17681-098-010	0253302
8	LID, FRAME	K1	K2	-----	-----	1	50661-098-010B	0201616
	LID, FRAME *NH1* (BLACK)	K1	K2	-----	-----	1	50661-098-010ZA	2960813
9	LID, FUEL TANK	K1	K2	-----	-----	1	50665-098-030B	0290718
	LID, FUEL TANK	K1	K2	-----	-----	1	50665-098-030ZA	3822418
10	BOLT, HEX., 6X10	K1	K2	-----	-----	2	92000-06010	0054171
	BOLT, HEX., 6X10	K1	K2	-----	-----	2	92101-06010-0A	3307048
11	WASHER, PLAIN, 6MM	K1	K2	-----	-----	2	94101-06000	0059071
	WASHER, PLAIN, 6MM	K1	K2	-----	-----	2	94101-06080	3136074
	WASHER, PLAIN, 6MM	K1	K2	-----	-----	2	94101-06800	0345900
12	TUBE, FUEL, 5.3X330 (BULK HOSE: 95001-55008-40M)	K1	K2	-----	-----	1	95001-55330-40	0290742
13	CLIP, TUBE, B10	K1	K2	-----	-----	4	95002-02100	0250985

# CONTENTS

TITLE	PAGE	GRD
AIR CLEANER	60	D11
ALTERNATOR	10	B5
BATTERY	88	F1
BRAKE PEDAL	80	E9
CAM CHAIN TENSIONER	14	B7
CAMSHAFT	8	B4
CARBURETOR	38	C7
CHAIN CASE	78	E8
CHANGE PEDAL	98	F6
CLUTCH	18	B9
CRANKCASE	34	C5
CRANKCASE COVER L	10	B5
CRANKCASE COVER R	16	B8
CRANKCASE PROTECTOR	92	F3
CRANKSHAFT	22	B11
CYLINDER	6	B3
CYLINDER HEAD	6	B3
CYLINDER HEAD COVER	2	B1
FENDER, FR.	46	D4
FENDER, RR.	84	E11
FORK, FR.	50	D6
FRAME	92	F3
FUEL TANK	64	E1
GEARSHIFT	26	C1
HANDLEBAR	40	D1
HEADLIGHT	44	D3
HORN	46	D4
INLET PIPE	2	B1
KICK ARM	98	F6
KICK STARTER	32	C4
MUFFLER	66	E2
OIL PUMP	34	C5
PISTON	22	B11
SEAT	60	D11
SHOCK ABSORBER, RR.	76	E7
SIDE STAND	80	E9
SPARK PLUG	2	B1
SPEEDOMETER	44	D3
STEERING STEM	46	D4
STEP	80	E9
SWINGARM	78	E8
TAILLIGHT	84	E11
TOOL SET	96	F5
TRANSMISSION	30	C3
VALVE	8	B4
WHEEL, FR.	54	D8
WHEEL, RR.	70	E4
WIRE HARNESS	88	F1

GRID

E1