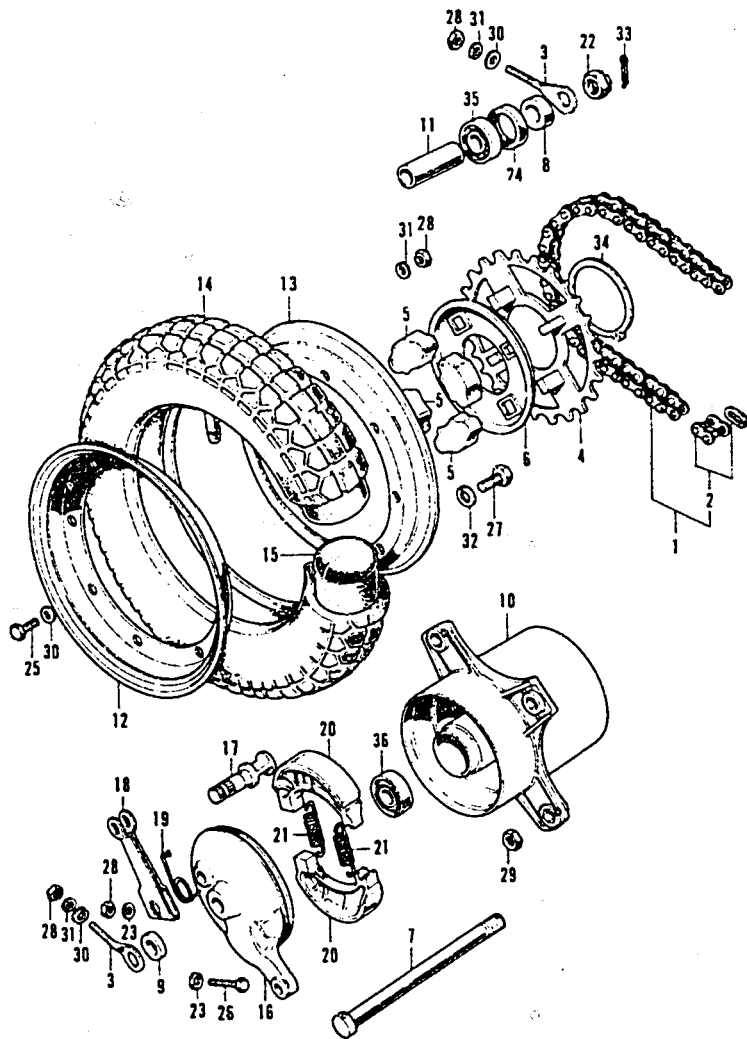


# REAR WHEEL



F23098009

K1 = CT70K1  
K2 = CT70K2

Ref. No.	BLOCK NO. DESCRIPTION	CT70		FRAME SERIAL NUMBER		QTY REQ	PART NUMBER	HONDA CODE
		K1	K2	FROM	TO			
12	RIM, R. WHEEL *NH35M* (KANAI) (CLOUD SILVER METALLIC) .....	K1	K2	-----	-----	1	42701-098-854ZA	0871897
13	RIM, L. WHEEL (CLOUD SILVER) .....	K1	K2	-----	-----	1	42702-098-000AU	0114991
	RIM, L. WHEEL .....	K1	K2	-----	-----	1	42702-098-851ZA	0698365
	RIM, L. WHEEL *NH35M* (YUNO) (CLOUD SILVER METALLIC) .....	K1	K2	-----	-----	1	42702-098-853ZA	6742734
14	TIRE (4.00-10) (BS) .....	K1	K2	-----	-----	1	42711-098-671	0313395
	TIRE (4.00-10) (NITTO) .....	K1	K2	-----	-----	1	42711-098-672	0202416
	TIRE (4.00-10) (NITTO) .....	K1	K2	-----	-----	1	42711-098-673	2239127
15	TUBE, TIRE (4.00-10) .....	K1	K2	-----	-----	1	42712-098-000	0200469
	TUBE, TIRE (4.00-10) (BS) .....	K1	K2	-----	-----	1	42712-098-003	2132827
	TUBE, WHEEL (BS) (3.50-10) .....	K1	K2	-----	-----	1	42712-098-691	3680168
16	PANEL, RR. BRAKE .....	K1	K2	-----	-----	1	43100-028-020	0141580
	PANEL, RR. BRAKE .....	K1	K2	-----	-----	1	43100-098-950	0380261
17	CAM, RR. BRAKE .....	K1	K2	-----	-----	1	43141-098-000	0200006
18	ARM, RR. BRAKE .....	K1	K2	-----	-----	1	43410-098-000	0200014
19	SPRING, RR. BRAKE ARM RETURN .....	K1	K2	-----	-----	1	43413-098-670	0201558
20	SHOE, BRAKE .....	K1	K2	-----	-----	2	45120-001-010	0009993
21	SPRING, BRAKE SHOE .....	K1	K2	-----	-----	2	45133-028-000	0166801
22	NUT, AXLE .....	K1	K2	-----	-----	1	90306-098-000	0246900
23	WASHER, RR. BRAKE ARM .....	K1	K2	-----	-----	2	90525-001-000	0094839
24	OIL SEAL, 26X37X6 .....	K1	K2	-----	-----	1	90753-051-000	0118174
	OIL SEAL, 26X37X6 .....	K1	K2	-----	-----	1	90753-051-003	0476283
	OIL SEAL, 26X37X6 .....	K1	K2	-----	-----	1	90753-051-005	0822924
25	BOLT, HEX., 6X12 .....	K1	K2	-----	-----	4	92000-06012	0054197
	BOLT, HEX., 6X12 .....	K1	K2	-----	-----	4	92101-06012	2738821
	BOLT, HEX., 6X12 .....	K1	K2	-----	-----	4	92101-06012-0A	3591500
26	BOLT, HEX., 6X36 .....	K1	K2	-----	-----	1	92000-06036	0313205
	BOLT, HEX., 6X35 .....	K1	K2	-----	-----	1	92200-06035	0700773
27	BOLT, HEX., 8X25 .....	K1	K2	-----	-----	4	92000-08025-0A	0159350
	BOLT, HEX., 8X25 .....	K1	K2	-----	-----	4	92101-08025-0A	2651537
28	NUT, HEX., 6MM .....	K1	K2	-----	-----	7	90310-KA3-711	1553916

E5

# CONTENTS

TITLE	PAGE	GRID
AIR CLEANER	60	D11
ALTERNATOR	10	B5
BATTERY	88	F1
BRAKE PEDAL	80	E9
CAM CHAIN TENSIONER	14	B7
CAMSHAFT	8	B4
CARBURETOR	38	C7
CHAIN CASE	78	E8
CHANGE PEDAL	98	F6
CLUTCH	18	B9
CRANKCASE	34	C5
CRANKCASE COVER L	10	B5
CRANKCASE COVER R	16	B8
CRANKCASE PROTECTOR	92	F3
CRANKSHAFT	22	B11
CYLINDER	6	B3
CYLINDER HEAD	6	B3
CYLINDER HEAD COVER	2	B1
FENDER, FR	46	D4
FENDER, RR	84	E11
FORK, FR	50	D6
FRAME	92	F3
FUEL TANK	64	E1
GEARSHIFT	26	C1
HANDLEBAR	40	D1
HEADLIGHT	44	D3
HORN	46	D4
INLET PIPE	2	B1
KICK ARM	98	F6
KICK STARTER	32	C4
MUFFLER	66	E2
OIL PUMP	34	C5
PISTON	22	B11
SEAT	60	D11
SHOCK ABSORBER, RR	76	E7
SIDE STAND	80	E9
SPARK PLUG	2	B1
SPEEDOMETER	44	D3
STEERING STEM	46	D4
STEP	80	E9
SWINGARM	78	E8
TAILLIGHT	84	E11
TOOL SET	96	F5
TRANSMISSION	30	C3
VALVE	8	B4
WHEEL, FR	54	D8
WHEEL, RR	70	E4
WIRE HARNESS	88	F1

GRID

E5

72 4 AMERICAN HONDA MOTOR CO. LTD. 1993  
 CT70K1 ENGINE NO.; CT70E-2000001 TO SUBSEQUENT  
 CT70K1 FRAME NO.; CT70-2000001 TO SUBSEQUENT  
 CT70K2 ENGINE NO.; CT70E-2100001 TO SUBSEQUENT  
 CT70K2 FRAME NO.; CT70-2100001 TO SUBSEQUENT

4 AMERICAN HONDA MOTOR CO. LTD. 1993 73