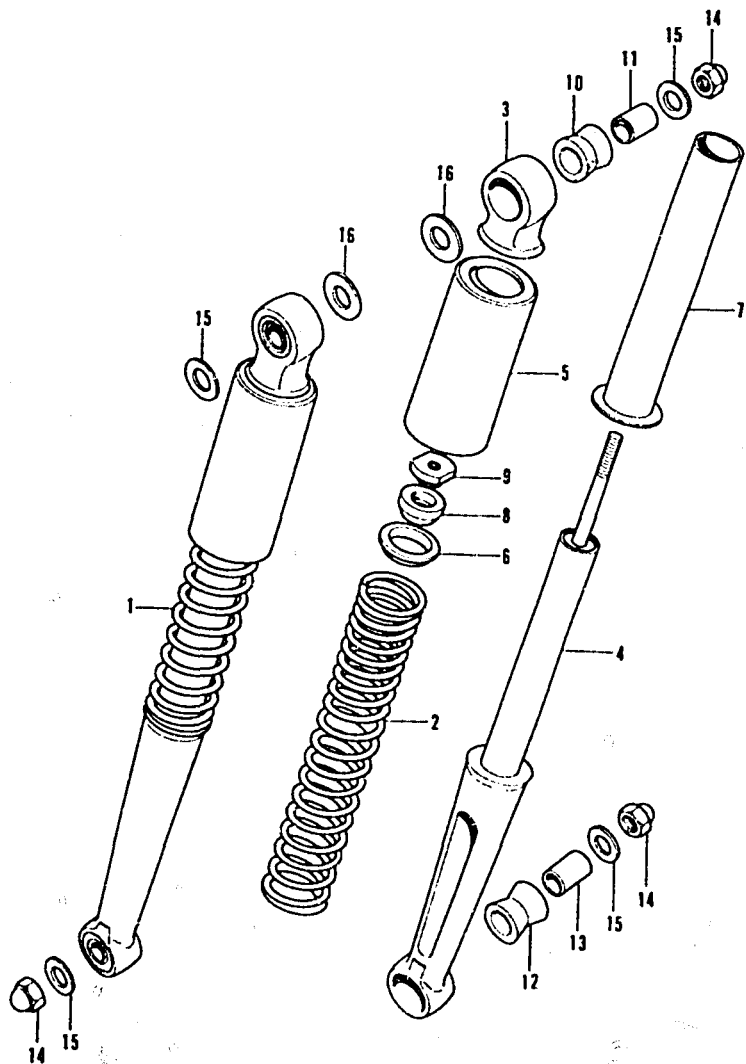


# REAR SHOCK ABSORBER



F23098010

K1 - CT70K1  
K2 - CT70K2

Ref. No.	BLOCK NO. DESCRIPTION	CT70		FRAME SERIAL NUMBER		QTY	PART NUMBER	HONDA CODE
		K1	K2	FROM	TO			
1	SHOCK ABSORBER ASSY., RR. ....	K1	K2	-----	-----	2	52400-098-970XW	0306472
	SHOCK ABSORBER ASSY., RR. ....	K1	K2	-----	-----	2	52400-098-971XW	1804111
2	SPRING, RR. SHOCK ABSORBER .....	K1	K2	-----	-----	2	52401-098-670	0200204
3	METAL, RR. SHOCK ABSORBER UPPER ..	K1	K2	-----	-----	2	52410-033-000	0020636
4	DAMPER COMP., RR. ....	K1	K2	-----	-----	2	52410-098-951	0388306
	DAMPER COMP., RR. ....	K1	K2	-----	-----	2	52410-098-952	1107267
	DAMPER COMP., RR. ....	K1	K2	-----	-----	2	52450-098-670	0200212
5	CASE, RR. DAMPER UPPER .....	K1	K2	-----	-----	2	52460-098-670XW	0306480
6	GUIDE, RR. DAMPER SPRING UPPER ...	K1	K2	-----	-----	2	52461-089-670	0186874
7	GUIDE, RR. SHOCK SPRING LOWER ....	K1	K2	-----	-----	2	52462-111-000	0242586
8	RUBBER, RR. SHOCK ABSORBER STOPPER .....	K1	K2	-----	-----	2	52475-051-000	0186890
9	NUT, RR. SHOCK ABSORBER UPPER LOCK	K1	K2	-----	-----	2	52481-051-000	0186908
10	BUSH, RR. SHOCK ABSORBER RUBBER UPPER .....	K1	K2	-----	-----	2	52485-001-010	0010678
	BUSH, SHOCK RUBBER .....	K1	K2	-----	-----	2	52495-098-000	1090513
11	COLLAR, RR. SHOCK ABSORBER RUBBER BUSH UPPER .....	K1	K2	-----	-----	2	52488-001-000	0010686
	COLLAR, RR. CUSHION RUBBER BUSH ..	K1	K2	-----	-----	2	52496-040-000	0299578
12	BUSH, RR. SHOCK ABSORBER RUBBER ..	K1	K2	-----	-----	2	52489-028-000	0016022
13	COLLAR, RR. DAMPER RUBBER BUSH UPPER .....	K1	K2	-----	-----	2	52496-035-000	0072017
14	NUT, CAP, 10MM .....	K1	K2	-----	-----	3	94021-10020-0S	0172155
15	WASHER, PLAIN, 10MM .....	K1	K2	-----	-----	4	94101-10000	0059113
16	WASHER, PLAIN, 12MM .....	K1	K2	-----	-----	2	94101-12000	0059139

E7

# CONTENTS

TITLE	PAGE	GRID
AIR CLEANER	60	D11
ALTERNATOR	10	B5
BATTERY	88	F1
BRAKE PEDAL	90	E9
CAM CHAIN TENSIONER	14	B7
CAMSHAFT	8	B4
CARBURETOR	38	C7
CHAIN CASE	78	E8
CHANGE PEDAL	98	F6
CLUTCH	18	B9
CRANKCASE	34	C5
CRANKCASE COVER, L	10	B5
CRANKCASE COVER, R	16	B8
CRANKCASE PROTECTOR	92	F3
CRANKSHAFT	22	B11
CYLINDER	6	B3
CYLINDER HEAD	6	B3
CYLINDER HEAD COVER	2	B1
FENDER, FR	46	D4
FENDER, RR	84	E11
FORK, FR	50	D6
FRAME	82	F3
FUEL TANK	64	E1
GEARSHIFT	26	C1
HANDLEBAR	40	D1
HEADLIGHT	44	D3
HORN	46	D4
INLET PIPE	2	B1
KICK ARM	98	F6
KICK STARTER	32	C4
MUFFLER	66	E2
OIL PUMP	34	C5
PISTON	22	B11
SEAT	60	D11
SHOCK ABSORBER, RR	76	E7
SIDE STAND	80	E9
SPARK PLUG	2	B1
SPEEDOMETER	44	D3
STEERING STEM	46	D4
STEP	80	E9
SWINGARM	78	E8
TAILLIGHT	84	E11
TOOL SET	96	F5
TRANSMISSION	30	C3
VALVE	8	B4
WHEEL, FR	54	D8
WHEEL, RR	70	E4
WIRE HARNESS	88	F1

GRID

E7