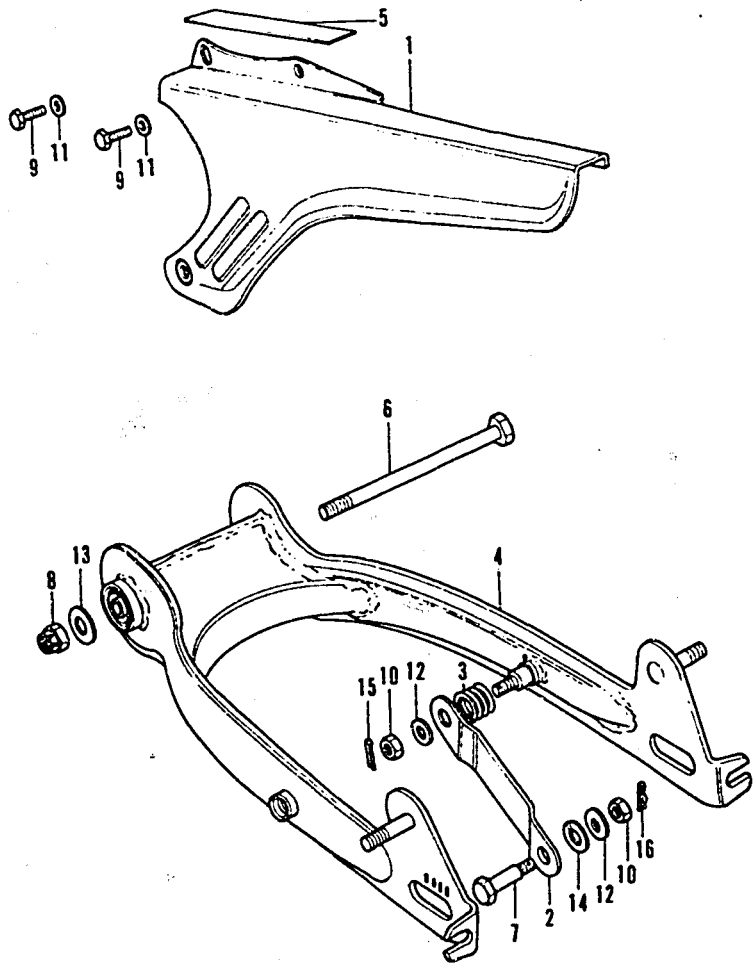


SWINGARM • CHAIN CASE



K1 = CT70K1
K2 = CT70K2

CT70

Ref. No.	BLOCK NO. F-11 DESCRIPTION	K1	K2	FRAME SERIAL NUMBER		QTY REQ	PART NUMBER	HONDA CODE
				FROM	TO			
1	CASE, DRIVE CHAIN	K1	K2	-----	-----	1	40510-098-000CQ	4094173
	CASE, DRIVE CHAIN (CANDY TOPAZ ORANGE)	K1	K2	-----	-----	1	40510-098-000DD	0263301
	CASE, DRIVE CHAIN (CANDY RIVIERA BLUE SPECIAL) ..	K1	K2	-----	-----	1	40510-098-000NL	0313379
	CASE, DRIVE CHAIN *NH1* (BLACK)	K1	K2	-----	-----	1	40510-098-000ZC	0628586
2	ARM, RR. BRAKE STOPPER	K1	K2	-----	-----	1	43431-098-000	0200022
	ARM, RR. BRAKE STOPPER	K1	K2	-----	-----	1	43431-124-740	0466144
3	SPRING, STOPPER ARM	K1	K2	-----	-----	1	43434-250-000	0050922
4	SWINGARM COMP., RR. (CANDY TOPAZ ORANGE)	K1	K2	-----	-----	1	52100-098-020DD	0306456
	SWINGARM COMP., RR. (CANDY RIVIERA BLUE SPECIAL) ..	K1	K2	-----	-----	1	52100-098-020NL	0306464
5	MARK, TIRE CAUTION	K1	K2	-----	-----	1	87505-098-970	0267187
6	BOLT, SWINGARM PIVOT	K1	K2	-----	-----	1	90121-098-970	0269530
7	BOLT, RR. BRAKE STOPPER	K1	K2	-----	-----	1	90127-001-010	0012112
	BOLT, RR. BRAKE STOPPER	K1	K2	-----	-----	1	90127-400-000	0439828
8	NUT, SELF LOCK, 10MM	K1	K2	-----	-----	1	90351-268-000	0051946
9	BOLT, HEX., 6X10	K1	K2	-----	-----	2	92000-06010	0054171
	BOLT, HEX., 6X10	K1	K2	-----	-----	2	92101-06010-0A	3307048
10	NUT, HEX., 8MM	K1	K2	-----	-----	2	94001-08000-0S	0167338
11	WASHER, PLAIN, 6MM	K1	K2	-----	-----	2	94101-06000	0059071
	WASHER, PLAIN, 6MM	K1	K2	-----	-----	2	94101-06080	3136074
	WASHER, PLAIN, 6MM	K1	K2	-----	-----	2	94101-06800	0345900
12	WASHER, PLAIN, 8MM	K1	K2	-----	-----	2	94101-08000	0059097
13	WASHER, PLAIN, 10MM	K1	K2	-----	-----	1	94101-10000	0059113
14	WASHER, SPRING, 8MM	K1	K2	-----	-----	1	94111-10000	0059006
15	PIN, SPLIT, 2.0X15	K1	K2	-----	-----	1	94201-20150	0058347
16	PIN, LOCK, 8MM	K1	K2	-----	-----	1	94251-08000	0115527

CONTENTS

TITLE	PAGE	GRID
AIR CLEANER	60	D11
ALTERNATOR	10	B5
BATTERY	88	F1
BRAKE PEDAL	80	E9
CAM CHAIN TENSIONER	14	B7
CAMSHAFT	6	B4
CARBURETOR	38	C7
CHAIN CASE	78	E8
CHANGE PEDAL	98	F6
CLUTCH	18	B9
CRANKCASE	34	C5
CRANKCASE COVER, L	10	B5
CRANKCASE COVER, R	16	B8
CRANKCASE PROTECTOR	92	F7
CRANKSHAFT	22	B11
CYLINDER	6	B3
CYLINDER HEAD	6	B3
CYLINDER HEAD COVER	2	B1
FENDER, FR	46	D4
FENDER, RR	84	E11
FORK, FR	50	D6
FRAME	92	F3
FUEL TANK	64	E1
GEARSHIFT	26	C1
HANDLEBAR	40	D1
HEADLIGHT	44	D3
HORN	46	D4
INLET PIPE	2	B1
KICK ARM	98	F6
KICK STARTER	32	C4
MUFFLER	66	E2
Oil PUMP	34	C5
PISTON	22	B11
SEAT	60	D11
SHOCK ABSORBER, RR	76	E7
SIDE STAND	80	E9
SPARK PLUG	2	B1
SPEEDOMETER	44	D3
STEERING STEM	46	D4
STEP	80	E9
SWINGARM	78	E8
TAILLIGHT	84	E11
TOOL SET	96	F5
TRANSMISSION	30	C3
VALVE	8	B4
WHEEL, FR	54	D8
WHEEL, RR	70	E4
WIRE HARNESS	88	F1

"CAUTION OR WARNING LABELS MUST BE ORDERED SEPARATELY WHEN APPLICABLE"

F23098011

78 AMERICAN HONDA MOTOR CO., LTD. 1993

E8

AMERICAN HONDA MOTOR CO., LTD. 1993 79

CT70K1 ENGINE NO.; CT70E-2000001 TO SUBSEQUENT
CT70K1 FRAME NO.; CT70-2000001 TO SUBSEQUENT
CT70K2 ENGINE NO.; CT70E-2100001 TO SUBSEQUENT
CT70K2 FRAME NO.; CT70-2100001 TO SUBSEQUENT