

## 3.7 CAM CHAIN TENSIONER

## A. Construction

The camshaft is driven off of the drive sprocket on the crankshaft through the cam chain which is located on the left side and housed within the cam chain chamber. (Fig. 3.59)

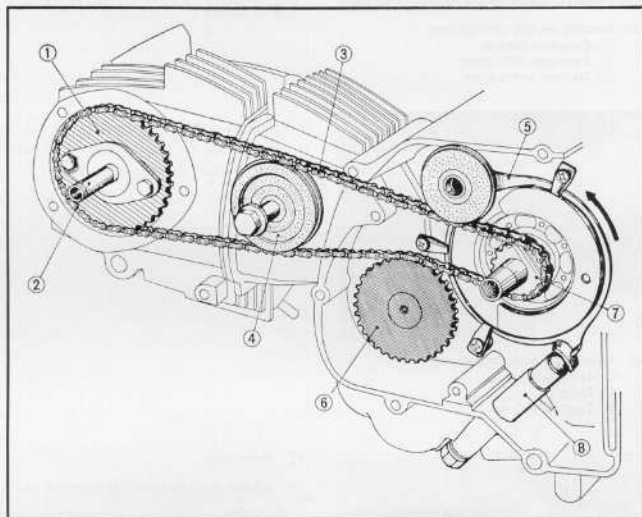


Fig. 3.59 Cam chain tensioner detail diagram

- |                                    |                            |
|------------------------------------|----------------------------|
| ① Cam sprocket                     | ⑤ Cam chain tensioner      |
| ② Cam shaft                        | ⑥ Cam chain guide sprocket |
| ③ Cam chain                        | ⑦ Timing sprocket          |
| ④ Cam chain guide roller tensioner | ⑧ Tensioner push rod       |