

9. SUPPLEMENT TO CT90K2~K6

CT90K2

COMPARISON OF CT90K2-K3 TO CT90

1. KICK STARTER

The kick starter was changed to a new type as shown in Fig. K2-1.

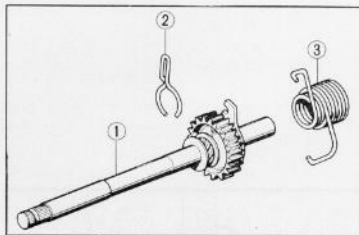


Fig. K2.1 ① Kick starter spindle ③ Kick starter spring
② Ratchet spring

2. AIR CLEANER

The air cleaner was new for the revised model. Concurrent with this change, the maintenance procedures of the cleaner element was changed.

Maintenance

1. Remove the wing nut and loosen the air cleaner connecting tube clamp, then remove the air cleaner case lid.
2. Unscrew the fixing plate bolt and remove the fixing plate.
3. Pull out the air cleaner element from the air cleaner case.
4. Wash the air cleaner element in clean Stoddard solvent and allow to dry thoroughly.

WARNING:

Gasoline or low flash point solvents are highly flammable and must not be used to clean air cleaner element.

5. Soak the air cleaner element in clean gear oil (SAE No. 80 or 90) until saturated, then squeeze out excess oil.
6. Reinstall the air cleaner element.
7. Reinstall the air cleaner case lid.

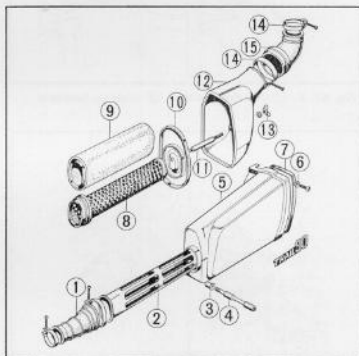


Fig. K2.2

- | | |
|-------------------------|------------------------|
| ① Connecting tube A | ⑩ Air cleaner element |
| ② Element inner pipe | ⑪ Fixing plate |
| ③ Cleaner case collar | ⑫ Fixing plate bolt |
| ④ Cleaner case bolt | ⑬ Air cleaner case lid |
| ⑤ Air cleaner case | ⑭ Wing nut |
| ⑥ Cleaner case collar B | ⑮ Tube clamp |
| ⑦ Cleaner case gasket | ⑯ Connecting tube B |
| ⑧ Element holder | |