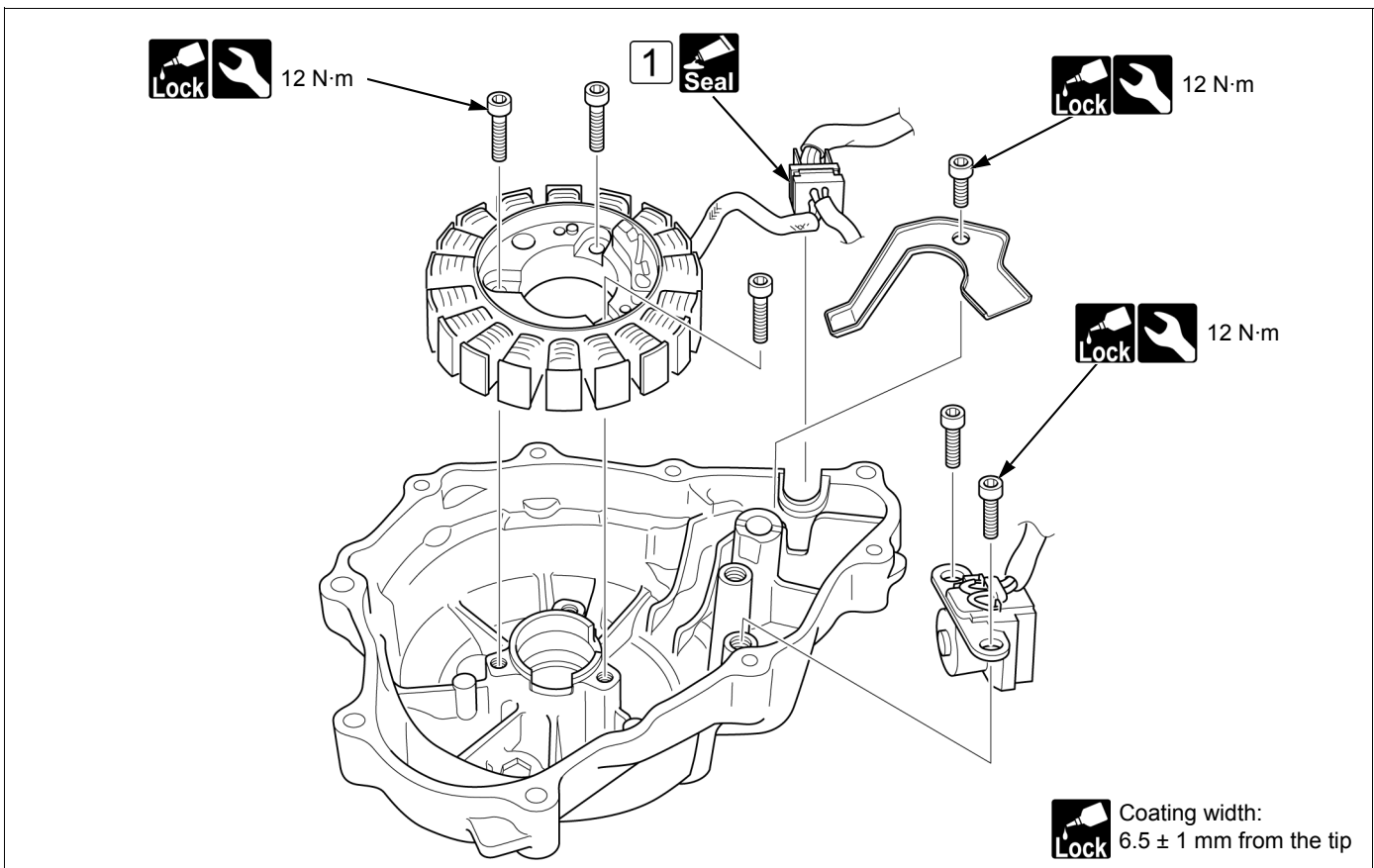
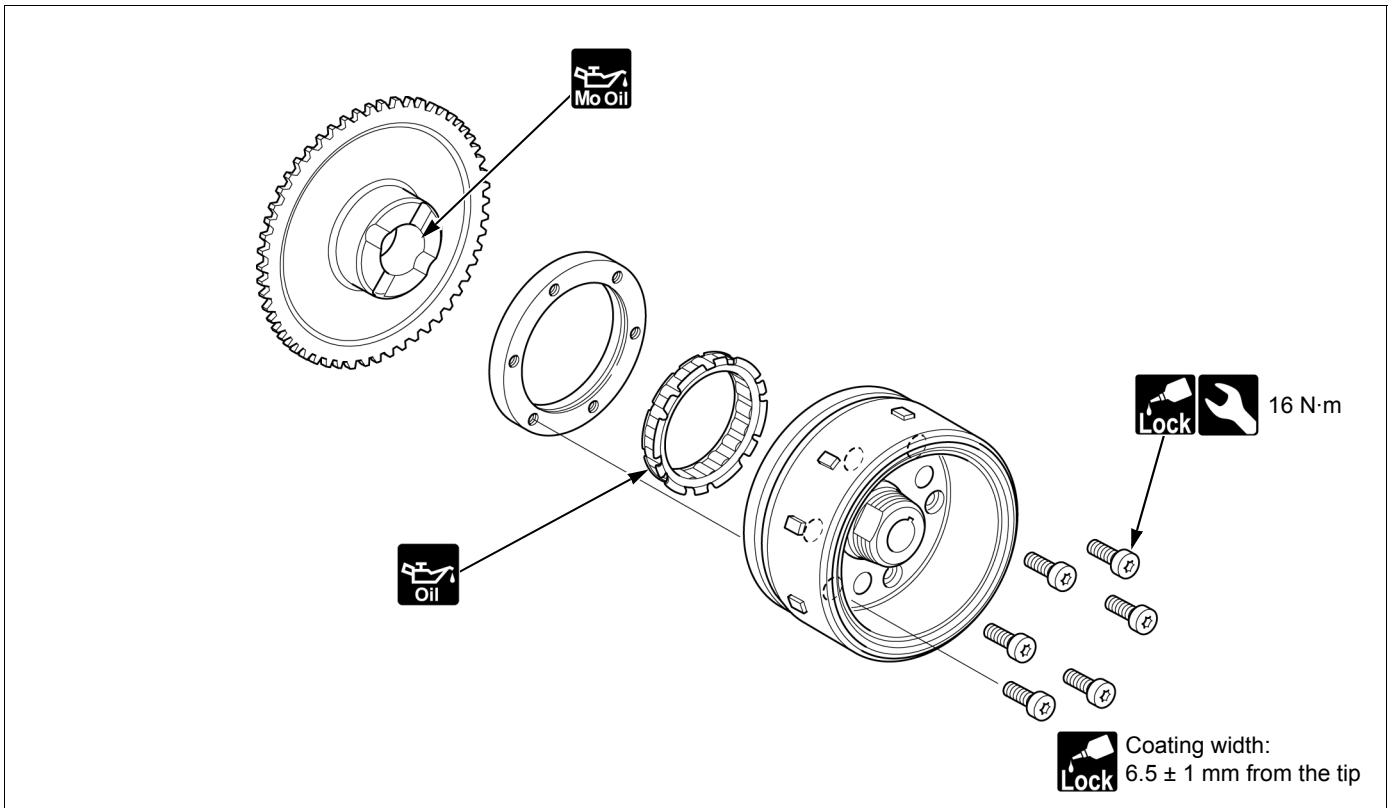




## FUEL & ENGINE



- 1 Apply sealant (TB 1141G, 1215, 1207B, or equivalent) to the sealing surface.