



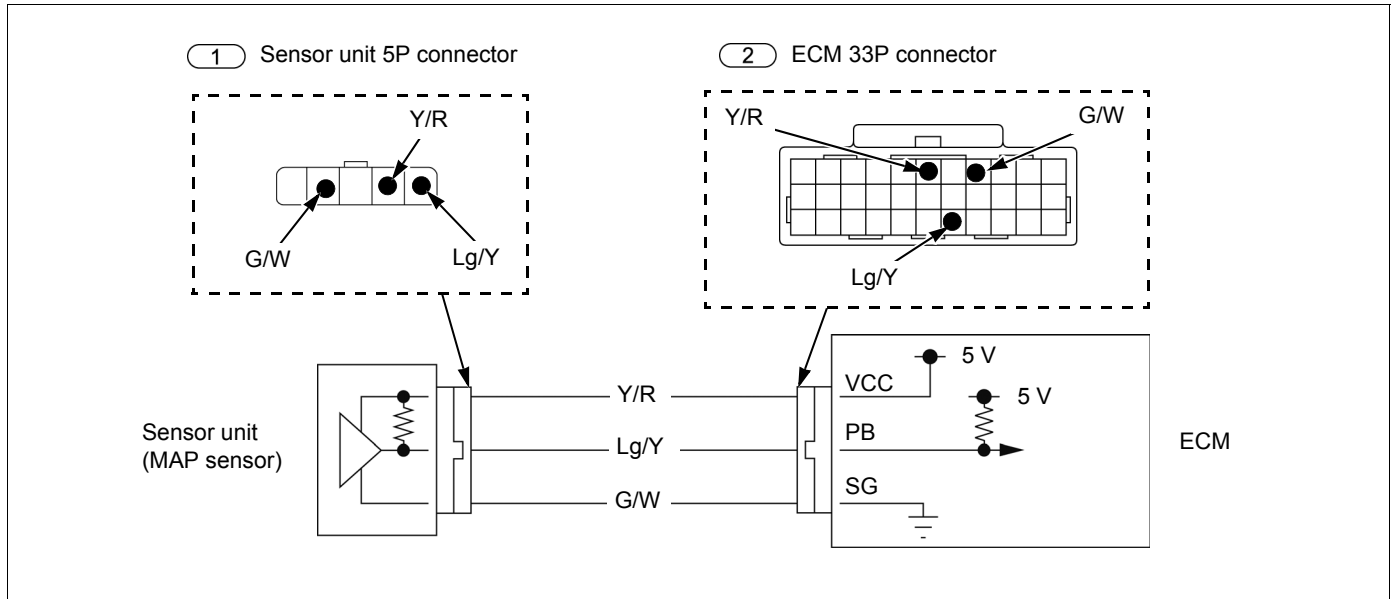
ELECTRICAL SYSTEM

DTC 1-2 (MAP SENSOR HIGH VOLTAGE)



Fuel tank shroud →3-6

MAP Sensor Diagram



1. MAP Sensor System Inspection

- Check the MAP sensor voltage with MCS.
- Is the voltage about 5 V indicated?

Yes ▼

No



- Intermittent failure
- Loose or poor contact at the connector

2. MAP Sensor System Inspection 2



- Install a jumper wire between the terminals. Connection: Lg/Y – G/W
- Check the MAP sensor voltage with MCS.
- Is the voltage about 0 V indicated?

No ▼

Yes



- Replace the sensor unit (MAP sensor) with a new one →2-8, and recheck.

3. MAP Sensor Output Line Inspection

- Check an open circuit in Lg/Y and G/W wire.
- If there is no open circuit, replace the ECM with a new one →4-19, and recheck.