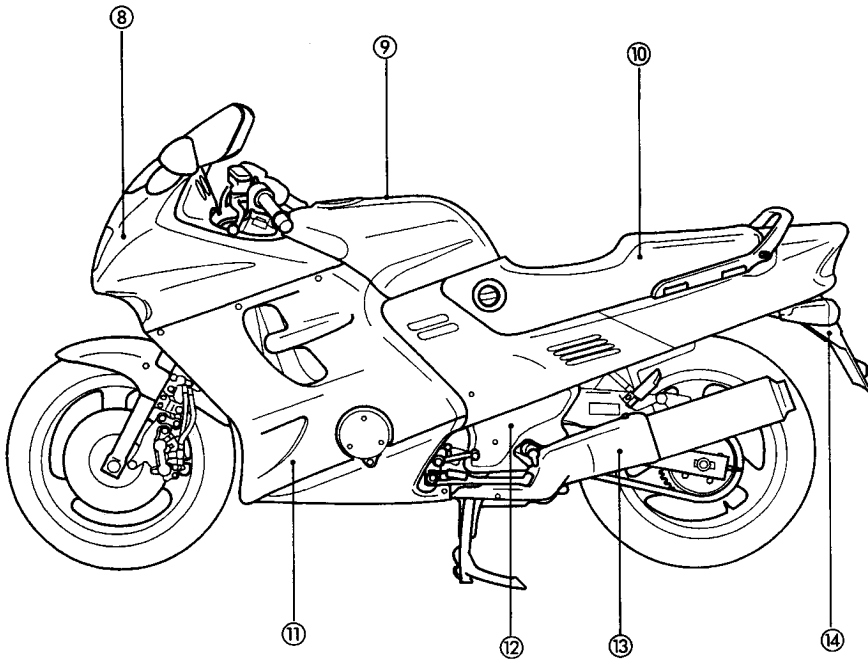
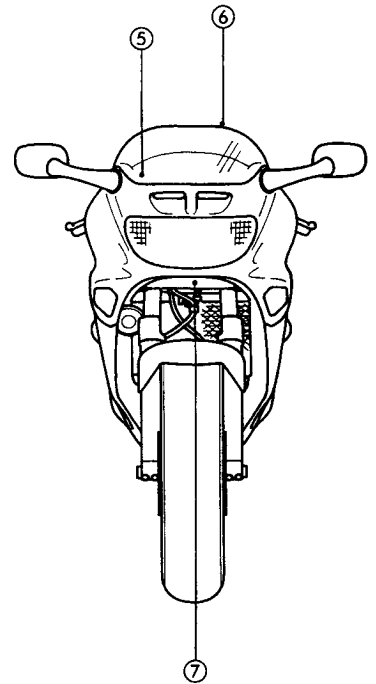
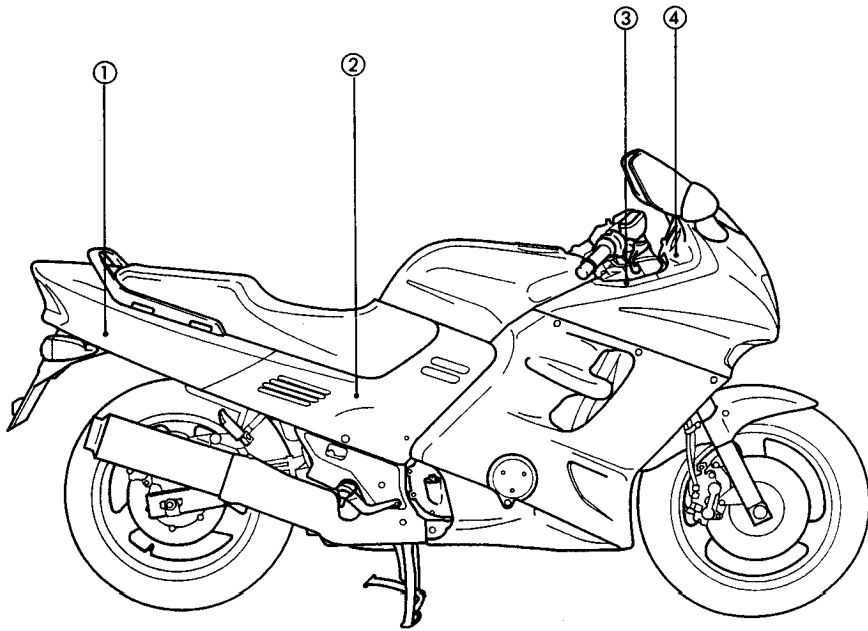


Body Panel Locations



- ① SEAT COWL
- ② SIDE COVER
- ③ INNER COVER
- ④ INSTRUMENT PANEL
- ⑤ UPPER COWL INNER
- ⑥ WINDSCREEN
- ⑦ MAINTENANCE LID
- ⑧ UPPER FAIRING
- ⑨ FUEL TANK
- ⑩ SEAT
- ⑪ LOWER FAIRING
- ⑫ PIVOT COVER
- ⑬ PIVOT UNDER COVER
- ⑭ REAR FENDER A