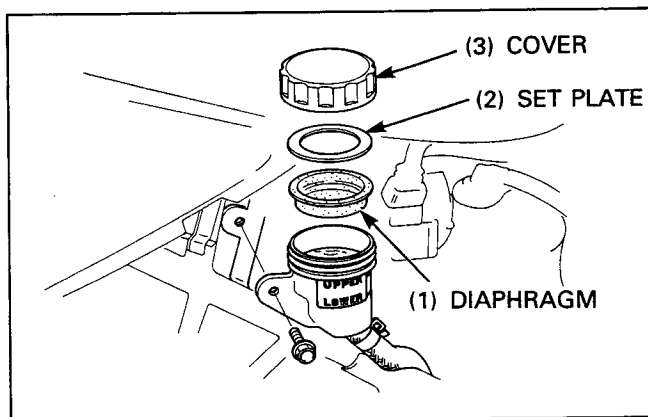


Fill the reservoir up to the "UPPER" level.

Specified brake fluid: DOT 4 brake fluid

Install the following:

- Diaphragm
- Set plate
- Reservoir cover

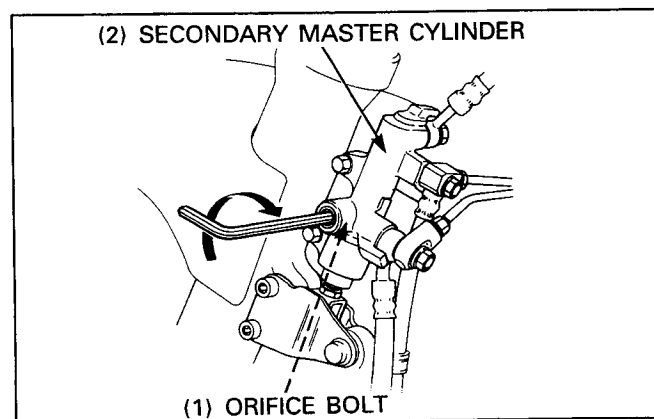


Tighten the secondary master cylinder orifice bolt to the specified torque.

Torque: 5.4 N·m (0.54 kg-m, 4.0 ft-lb)

NOTE

- After air bleeding, tighten the orifice bolt securely. If the orifice bolt is not tightened, correct brake performance is not obtained.



Install the secondary master cylinder orifice bolt rubber cap.

Check the brake system operation (page 3-13).

Install the removed parts the reverse order of removal.

