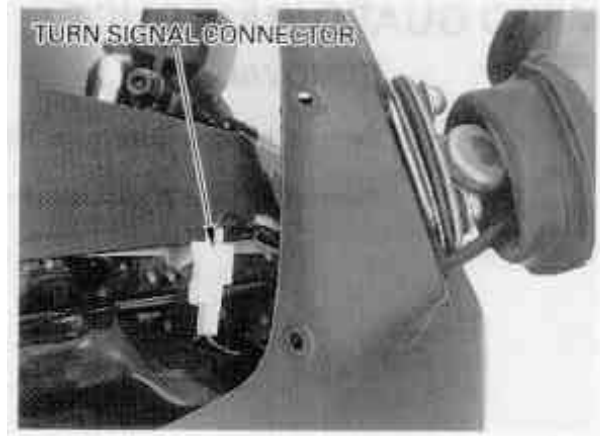
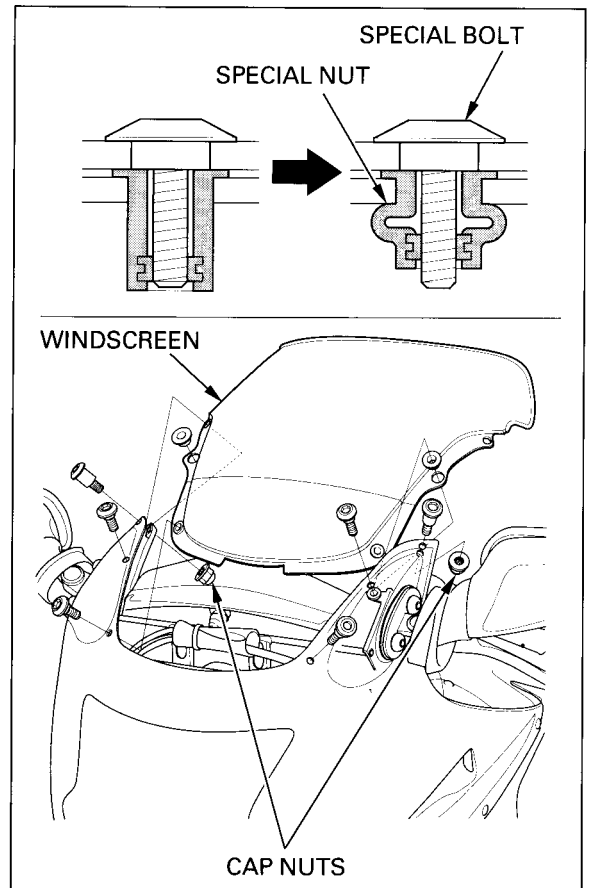


Connect the front turn signal connectors.
Set the turn signal connectors into the upper cowl.



Install the collar and special nut onto the wind-
screen.
Install the windscreen into the upper cowl.
Install and tighten the four special bolts as shown.



Tighten the rearview mirror socket bolts securely.
Install the rubber boot into the mirror plate properly.

