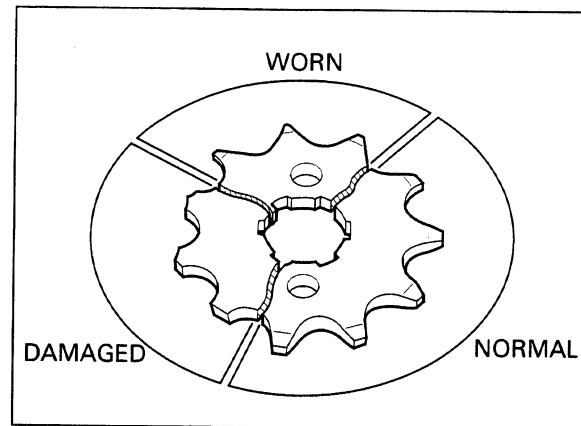


SPROCKET INSPECTION

Inspect the drive and driven sprocket teeth for damage or wear. Replace if necessary. Never use a worn chain on new sprockets. Both chain and sprockets must be in good condition, or the new replacement parts will wear rapidly.

Check the attachment bolt and nuts on the drive and driven sprockets. If any are loose, torque them.



REPLACEMENT

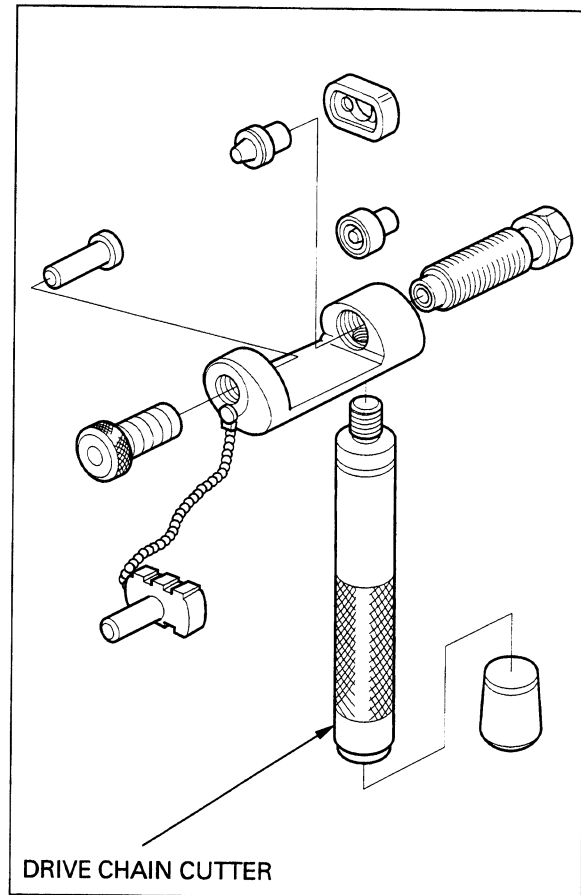
This motorcycle uses a drive chain with a staked master link.

Loosen the drive chain.
Assemble the special tool.

TOOL:
Drive chain tool set 07HMH-MR10103

NOTE:

When using the special tool, follow the manufacturer's instruction.



Locate the crimped pin ends of the master link from the outside of the chain and remove the link with the drive chain tool set.

Remove the drive chain.

