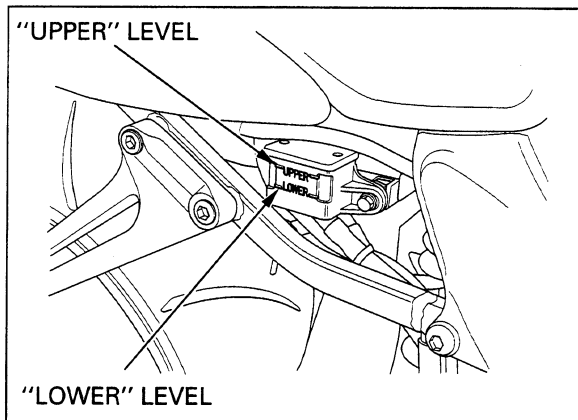


REAR BRAKE

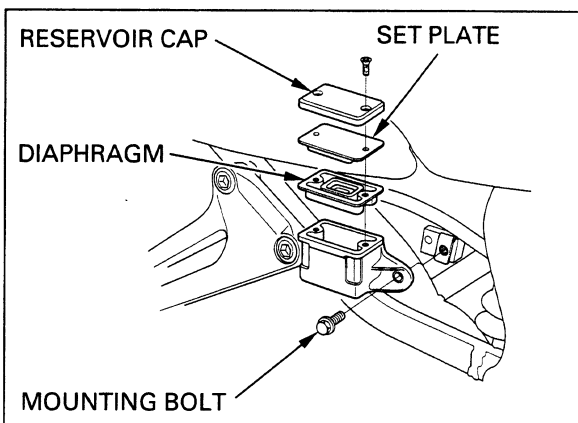
Place the motorcycle on a level surface, and support it upright.
Check the fluid level in the rear brake reservoir.



If the level is near the "LOWER" level line, remove the reservoir mounting bolt, reservoir cap, set plate and diaphragm, and fill the reservoir with DOT 4 brake fluid from a sealed container to the upper level line.

Install the diaphragm, set plate and reservoir cap and tighten the cap screws.
Install the reservoir onto the stay and tighten the mounting bolt.

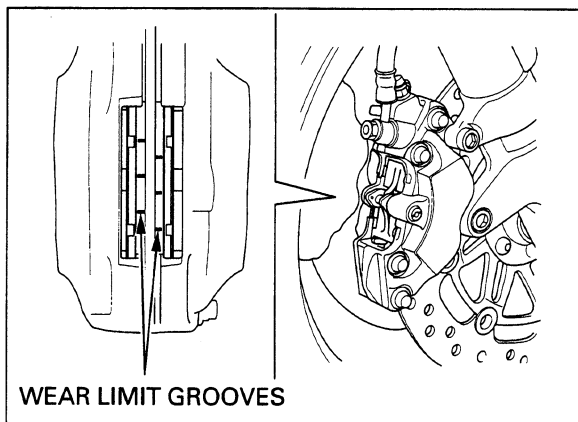
TORQUE: 9 N·m (0.9 kgf·m , 6.5 lbf·ft)



BRAKE PAD WEAR

FRONT BRAKE PAD

Check the brake pad for wear.
Replace the brake pads if the wear limit groove of either pad is worn out.



REAR BRAKE PAD

Check the brake pad for wear by looking from the rear side of the caliper.
Replace the brake pads if either pad is worn to the bottom of the wear limit groove.

Refer to page 15-5 for brake pad replacement.

