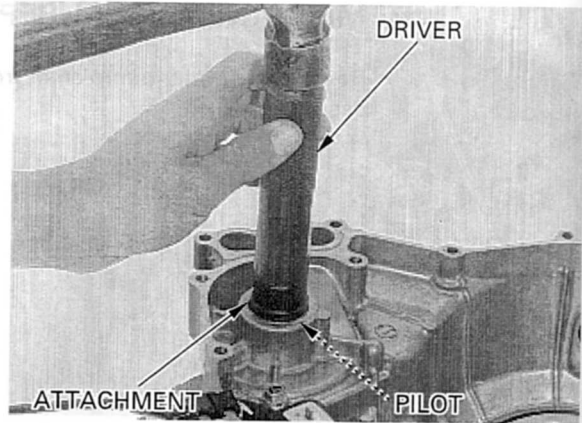


COOLING SYSTEM

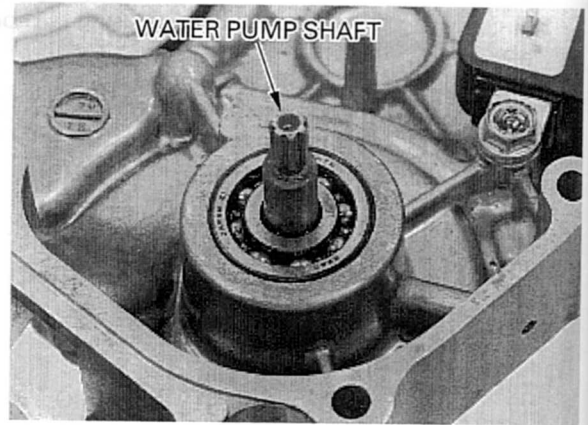
Drive a new bearing with the markings facing out using the special tools.

TOOLS:

- Driver** 07749-0010000
- Attachment, 28 × 30 mm** 07946-1870100
- Pilot, 10 mm** 07746-0040100

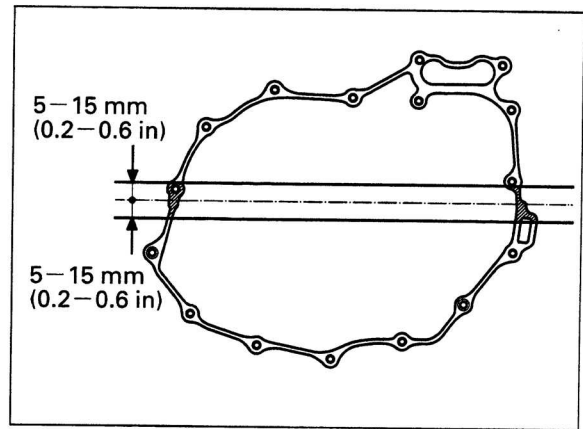


Support the bearing inner race properly and install the water pump shaft until it is seated.



RIGHT CRANKCASE COVER INSTALLATION

Apply sealant to the crankcase mating surfaces as shown.



Install the dowel pins and a new gasket.

