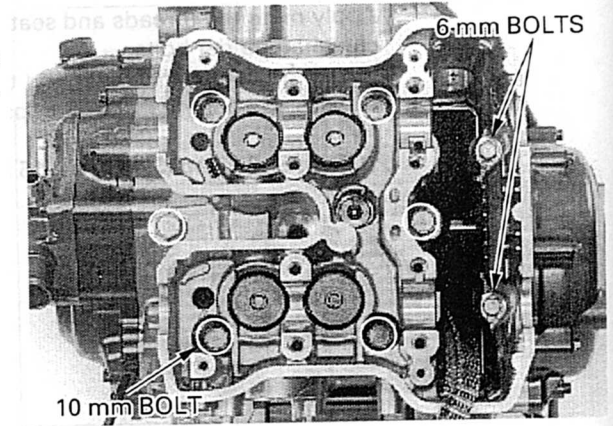
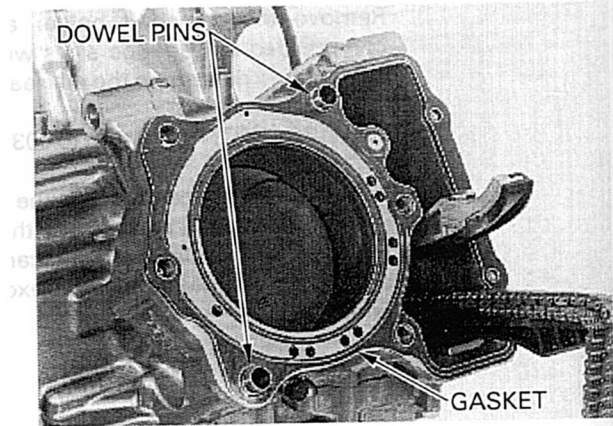


## CYLINDER HEAD/VALVE

Remove the two 6 mm cylinder head bolts.  
Loosen the six 10 mm cylinder head bolts in a crisscross pattern in 2 or 3 steps, and remove them.  
Remove the cylinder head.



Remove the gasket and dowel pins.

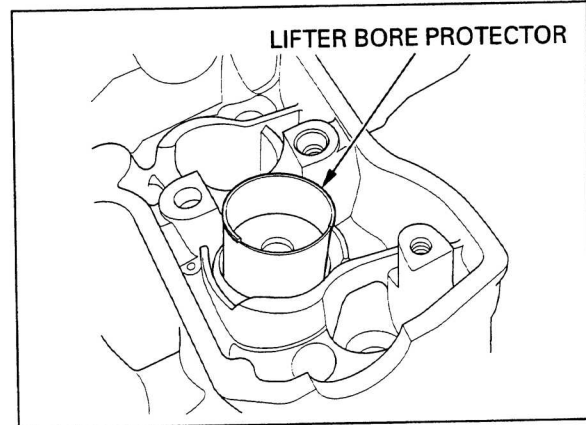


## CYLINDER HEAD DISASSEMBLY

Remove the spark plug from the cylinder head.

Make a lifter bore protector from a plastic 35 mm film container by cutting the bottom of the container.

Install the protector into the valve lifter bore.



Remove the attachment from the valve spring compressor.

Remove the valve spring cotters using the valve spring compressor.

### TOOL:

Valve spring compressor 07757-0010000

### CAUTION:

*To prevent loss of tension, do not compress the valve springs more than necessary to remove the cotters.*

