

## CLUTCH/GEARSHIFT LINKAGE

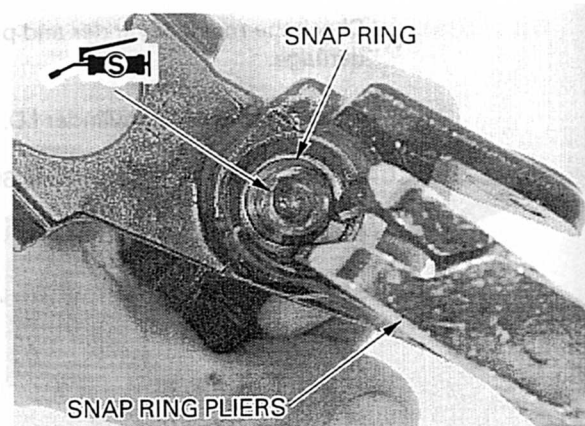
Install the snap ring into the groove in the master cylinder, using the special tool.

**TOOL:**

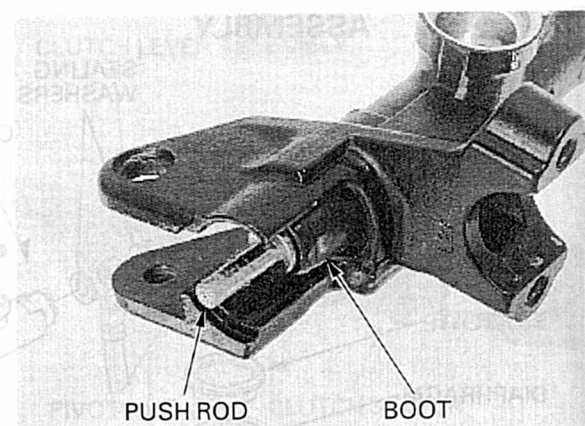
**Snap ring pliers** 07914-3230001

**CAUTION:**

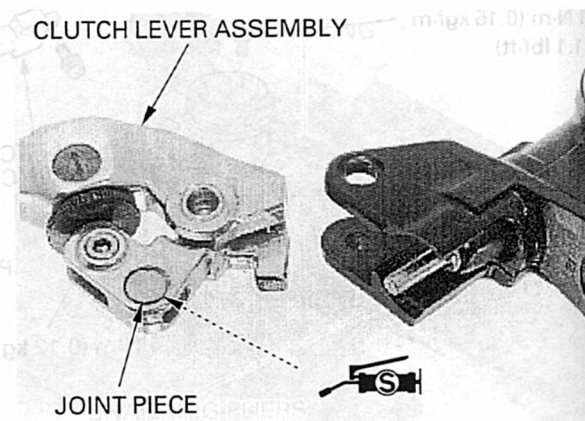
***Be certain the snap ring is firmly seated in the groove.***



Apply silicone grease to the push rod contacting area of the master piston.  
Install the boot onto the push rod.  
Install the boot and push rod into the master cylinder.



Apply silicone grease to the push rod hole in the clutch lever joint piece.  
Insert the push rod into the hole in the joint piece and install the clutch lever assembly onto the master cylinder.



Apply silicone grease to the pivot bolt sliding surface and install the bolt into the master cylinder and clutch lever.  
Install and tighten the pivot nut.

**TORQUE:** 6 N·m (0.6 kgf·m , 4.3 lbf·ft)

Install the clutch switch with the screw.

