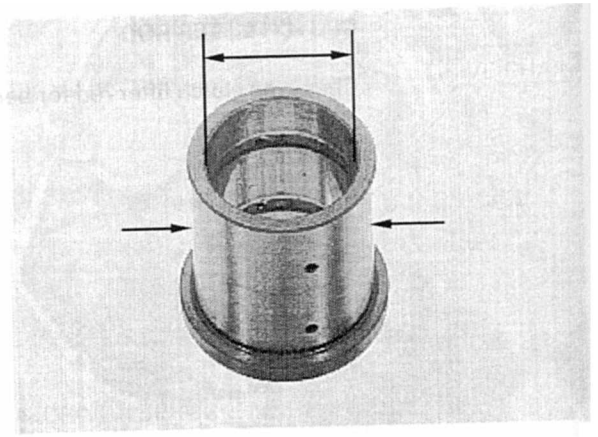


CLUTCH/GEARSHIFT LINKAGE

CLUTCH OUTER GUIDE

Measure the clutch outer guide I.D. and O.D.

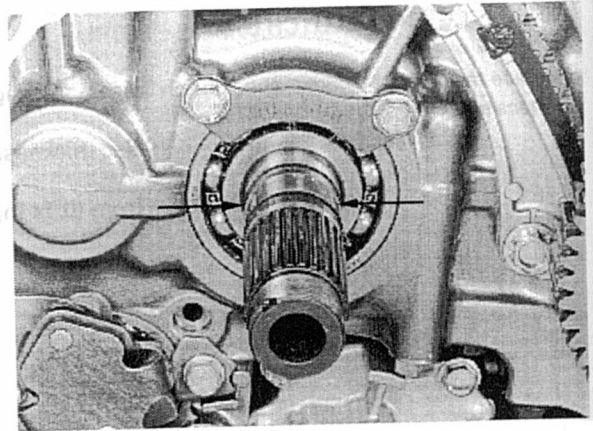
SERVICE LIMITS: I.D. : 28.031 mm (1.1036 in)
O.D. : 34.965 mm (1.3766 in)



MAINSHAFT

Measure the mainshaft O.D. at the clutch outer guide.

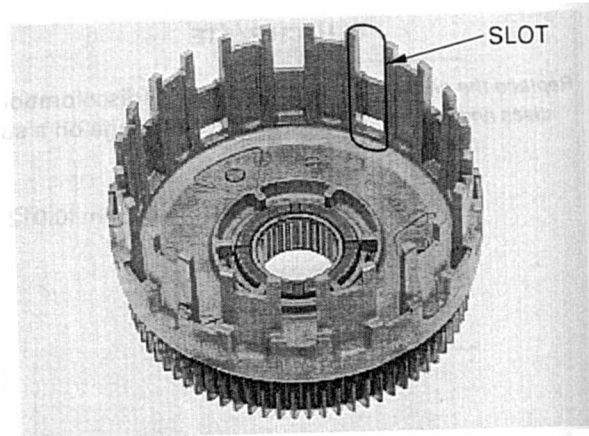
SERVICE LIMIT: 27.970 mm (1.1012 in)



CLUTCH OUTER

Check the slots in the clutch outer for nicks, indentation or abnormal wear made by the clutch discs.

Check the needle bearing for wear or damage.
Replace the bearing if necessary.



Press the needle bearing out of the clutch outer using the special tools.

TOOLS:

Driver

Attachment, 37 × 40 mm

Pilot, 35 mm

07749-001000

07746-0010200

07746-0040800

