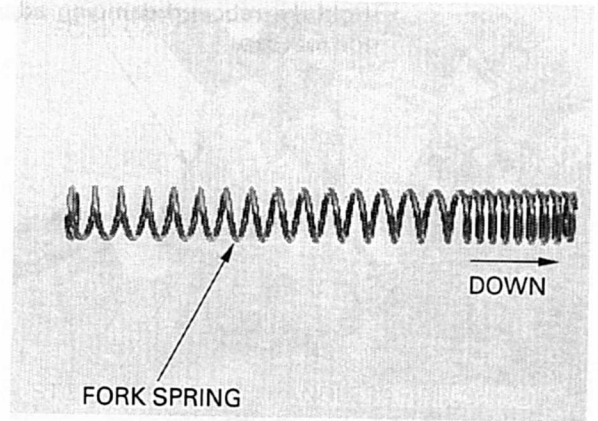
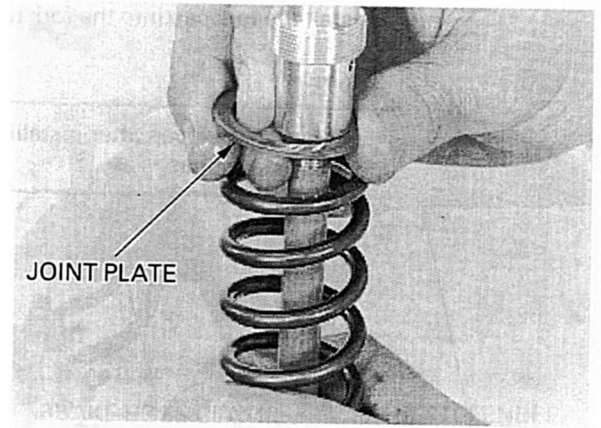


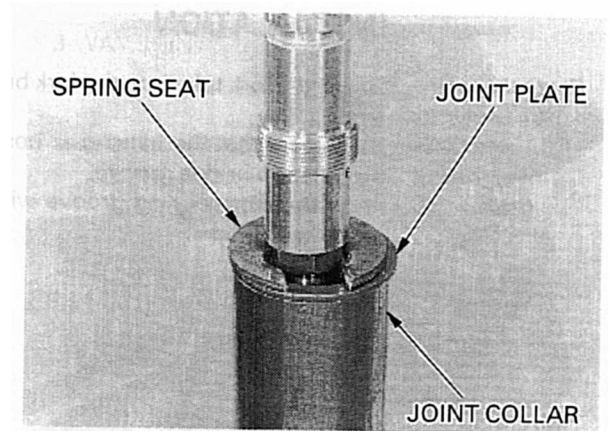
Pull up the damper rod fully.
Install the fork spring with the tightly wound end facing down.



Install the joint plate.



Install the spring collar, joint plate and spring seat.



Coat new O-rings with fork fluid and install them into the grooves in the rebound damping adjuster and fork cap.
Install the fork cap onto the rebound damping adjuster.

