

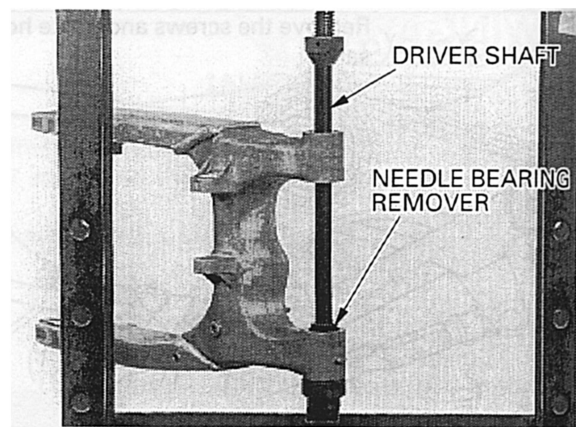
REAR WHEEL/SUSPENSION

LEFT PIVOT BEARING

Press the needle bearing out of the pivot using the special tools.

TOOLS:

- Driver shaft** 07946-MJ00100
- Needle bearing remover** 07HMC-MR70100

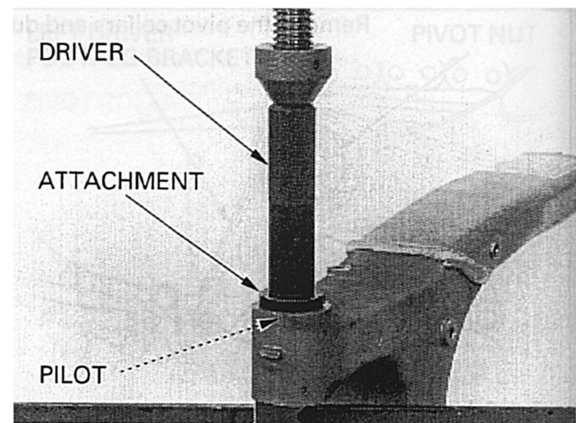


Press in the bearing with the marking side facing up.

Apply molybdenum disulfide grease to the needle rollers of a new bearing. Carefully press the needle bearing into pivot until the depth from the swingarm outer surface is 14–15 mm (0.55–0.59 in), using the special tool.

TOOLS:

- Driver** 07749-0010000
- Attachment, 37 × 40 mm** 07746-0010200
- Pilot, 28 mm** 07746-0041100



ASSEMBLY

