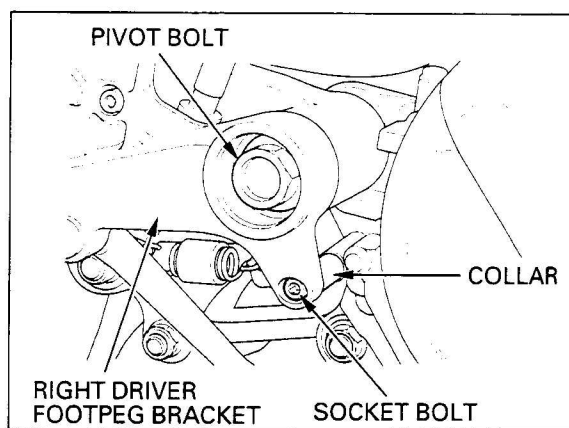


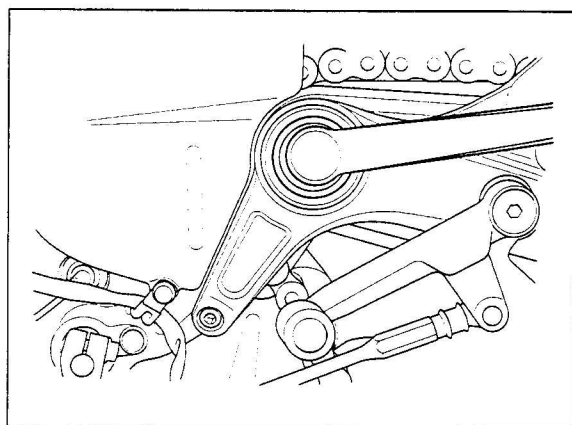
REAR WHEEL/SUSPENSION

Install the collar between the right driver footpeg bracket and shock link bracket, and tighten the socket bolt.

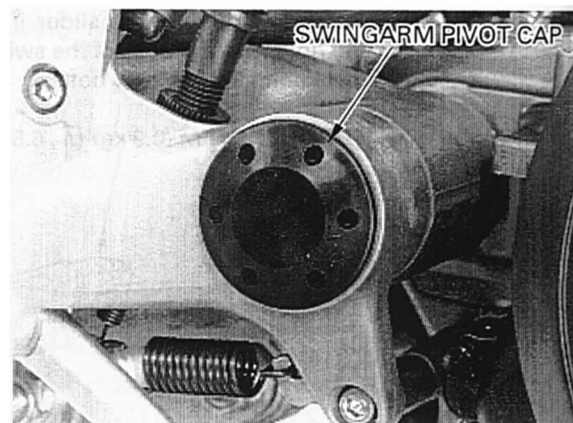


Tighten the swingarm pivot nut.

TORQUE: 93 N·m (9.5 kgf·m , 69 lbf·ft)



Install the left and right swingarm pivot caps.



Install the shock arm-to-swingarm bolt and tighten the nut.

TORQUE: 44 N·m (4.5 kgf·m , 33 lbf·ft)

