

HYDRAULIC BRAKE

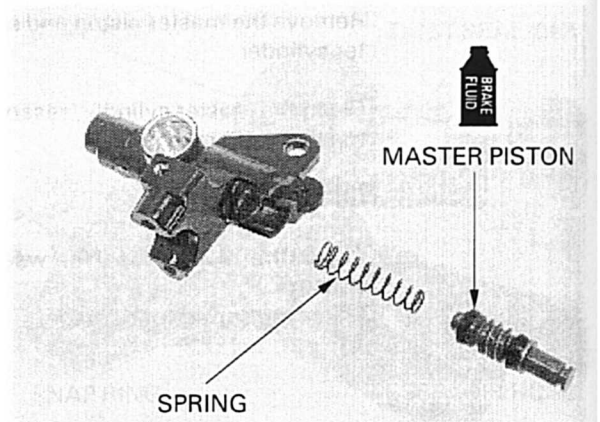
Coat the master piston and piston cups with clean brake fluid.

Install the spring onto the master piston.

Install the spring and master piston into the master cylinder.

CAUTION:

Do not allow the piston cup lips to turn inside out.



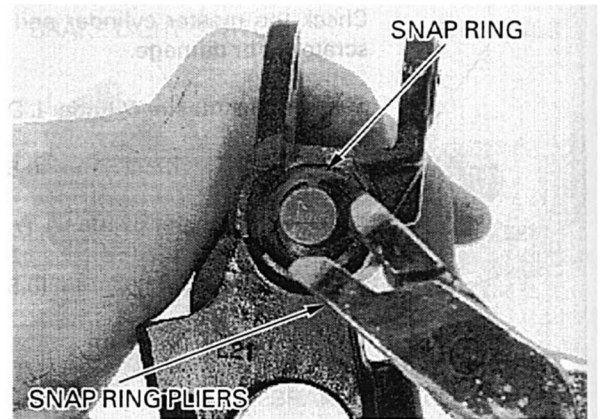
Install the snap ring into the groove in the master cylinder, using the special tool.

TOOL:

Snap ring pliers 07914-3230001

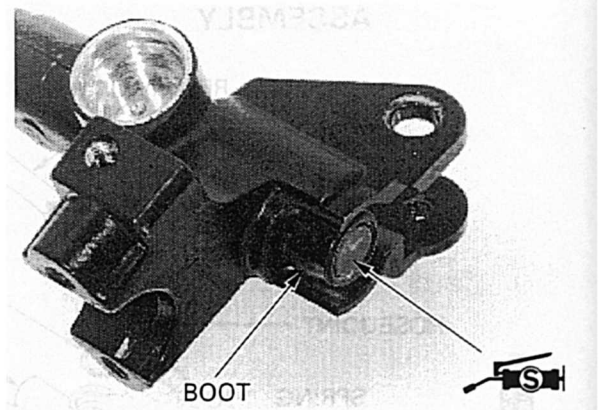
CAUTION:

Be certain the snap ring is firmly seated in the groove.



Install the boot onto the piston and into the master cylinder.

Apply silicone grease to the brake lever contacting area of the master piston.



Apply silicone grease to the pivot bolt sliding surface.

Install the brake lever assembly and pivot bolt.

Install and tighten the pivot nut.

TOOL: 6 N·m (0.6 kgf·m, 4.3 lbf·ft)

Install the front brake light switch with the screw.

