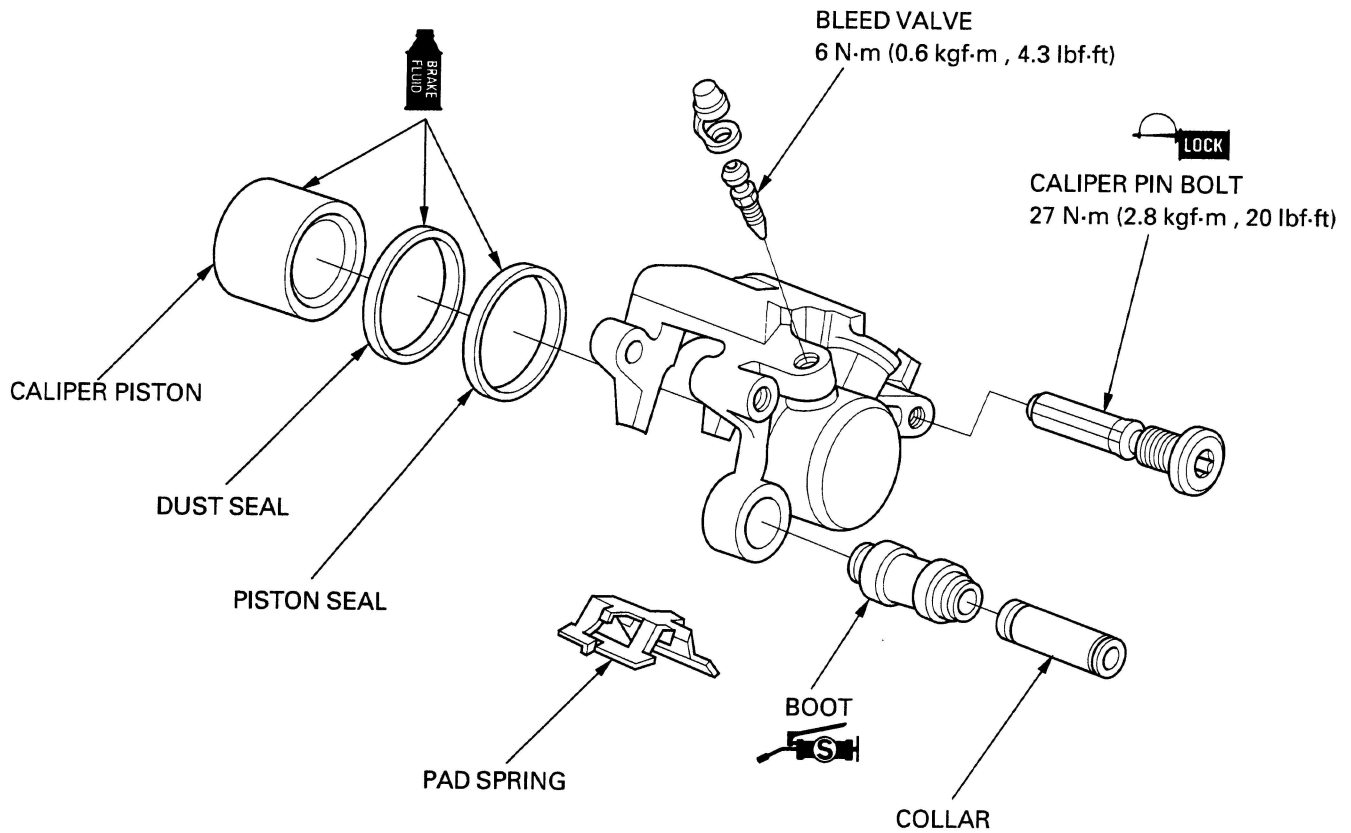
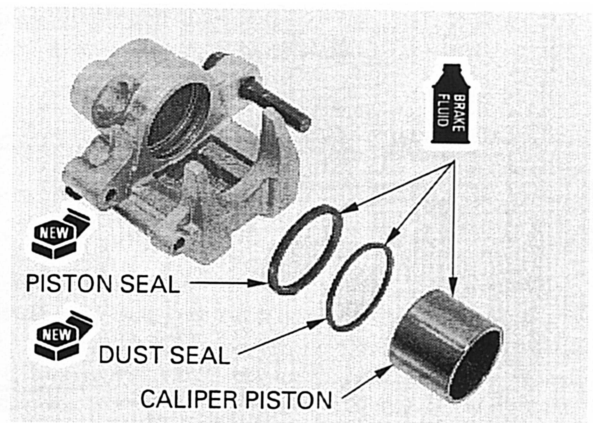


ASSEMBLY



Coat new piston and dust seals with clean brake fluid and install them in the seal grooves in the caliper.

Coat the caliper piston with clean brake fluid and install it into the caliper cylinder with the opening toward the pads.



Install the pad spring onto the caliper body as shown.

Check the caliper boot and replace it if it is hard, deteriorated or damaged.

Apply silicone grease to the inside of the boot. Install the boot and collar into the caliper.

